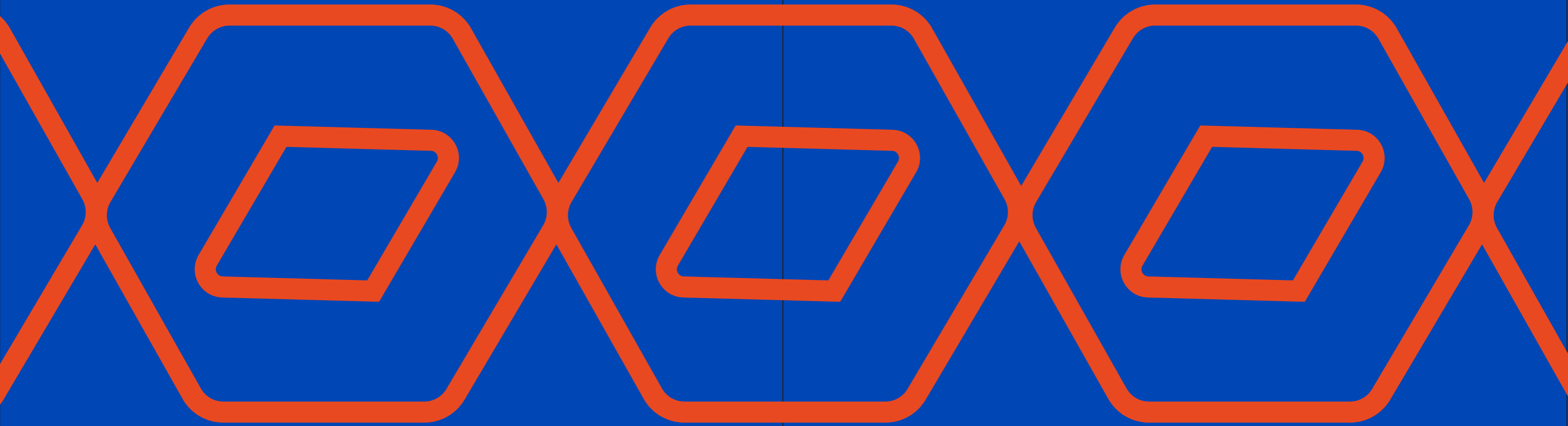




- 电源连接器 POWER CONNECTOR
- 信号连接器 SIGNAL CONNECTOR
- 混合连接器 HYBRID CONNECTOR
- 数据连接器 DATA CONNECTOR
- 工业线束 WIRE HARNESS



东莞市普乐固技术有限公司
Dongguan PLUGOOD Technology Co., Ltd



普乐固官网



普乐固企业微信



普乐固抖音账号

CONTACT

TEL:+86-18128646619(微信同号)
E mail:service@www.plugood.com
http://www.plugood.com

地址: 广东省东莞市松山湖园区怡乐路1号2栋503室
Add: Room 503, Building 2, No. 1, Yile Road, Songshan Lake Park,
Dongguan City, Guangdong Province, China

专注工业连接器/线束综合解决方案

Manufacturer of industrial connectors/wire harness solutions

中国 东莞
Dongguan, China

欢迎进入普乐固世界

Welcome

www.plugood.com



东莞市普乐固技术有限公司

Dongguan Plugood Technology Co., Ltd

普乐固 (PLUGOOD) 技术的核心价值观是“普乐共进, 固行求精”, 着力打造全球性的工业级连接产品服务网络, 将业务全面辐射至全球, 为客户提供高性能、创新可靠的工业级连接器、工业线束产品一站式解决方案。

The core value of PLUGOOD is "Advances Together and Strives for Excellence". We strive to build a global service network of industrial connectivity products, and provide customers with high-performance, innovative and reliable one-stop solutions of industrial connectors and wire harnesses.

CONTENTS

手册目录

专注工业连接器/线束综合解决方案
Manufacturer of industrial connectors/wire harness solutions

东莞市普乐固技术有限公司
Dongguan Plugood Technology Co., Ltd

普乐固 (PLUGOOD) 技术的核心价值观是“普乐共进, 固行求精”, 着力打造全球性的工业级连接产品服务网络, 将业务全面辐射至全球, 为客户提供高性能、创新可靠的工业级连接器、工业线束产品一站式解决方案。

The core value of PLUGOOD is "Advances Together and Strives for Excellence". We strive to build a global service network of industrial connectivity products, and provide customers with high-performance, innovative and reliable one-stop solutions of industrial connectors and wire harnesses.

www.plugconn.com



01

ABOUT US
关于普乐固
P01—P04

02

HISTORY & DEVELOPMENT
公司发展与历程
P05—P06

03

QUALIFICATIONS & CERTIFICATES
公司荣誉资质
P07—P08

04

ENTERPRISE CORE ADVANTAGE
企业核心优势
P09—P10

05

PRODUCTS
产品目录
P11—P14

06

PRODUCT SERIES
PLG系列
产品介绍
P15—P70

07

PARAMETERS AND DIMENSIONS
工业线束类
产品介绍
P71—P76

08

APPLICATION SOLUTIONS
PLB系列
产品介绍
P77—P92

09

FACILITIES & EQUIPMENT
行业应用解决方案
P93—P94

10

EXCLUSIVE CUSTOMIZATION
公司环境与设备
P95—96

ABOUT PLUGOOD TECHNOLOGY

关于普乐固



COMPANY INTRODUCTION

公司介绍

东莞市普乐固技术有限公司是一家专注于工业级连接器产品的设计、研发、生产制造、销售于一体的创新型企业，并致力于坚持品牌原创设计理念，旗下自有品牌“普乐固”“PLUGOOD”发展历程始于2015年。普乐固(PLUGOOD)汇聚了超过20年行业研发、生产制造和品质经验的强大资深团队，目前获批20余项专利成果，涵盖海内外发明专利和实用新型专利，并于2024年参加德国红点设计奖，其PLG20产品系列已荣获iF设计奖、美国好设计奖及法国设计奖，符合CQC/TUV/UL/CE/ROHS等多项权威认证。

Dongguan PLUGOOD Technology Co., Ltd is an innovative enterprise focusing on design, R&D, manufacturing and sales of industrial connectors. We are committed to adhering to brand's original design. "PLUGOOD" was registered in 2015, and now has developed into a strong team with 20 years' experience in R&D, manufacturing and quality control in the industry. We have obtained more than 20 patents both at home and abroad. In 2024, we have received iF Design Award, American Good Design Award and French Design Award for PLG series. We have also received multiple authoritative certifications such as CQC, TUV, UL, CE and others.

2015



普乐固成立于2015年
Plugood was founded in 2015

20 years



超20年行业研发经验团队
Experienced R&D Team

10 years



品牌历史
Brand History

公司主营业务及产品涵盖户外电子终端连接器、微出行工具连接器、新能源汽车连接器、电缆插头(航空插)、工业线束等各类工业级连接器/线束定制类产品等，拥有应用到各个行业超200多个品种，产品SKU规划近10000+，目前产品被广泛应用于电子通信、工业自动化机械设备、智能制造、机器人、智慧城市物联网、全球定位系统周边、新能源汽车电子、太阳能光伏和风电、户外LED(路灯、显示屏、亮化)、船舶航海、微出行工具(电动自行车、电动摩托车、电动滑板车)、轨道交通、城市管理监控、会展和演艺行业等众多应用领域市场。

普乐固(PLUGOOD)技术的核心价值观是“普乐共进，固行求精”，着力打造全球性的工业级连接产品服务网络，将业务全面辐射至全球，为客户提供高性能、创新可靠的工业级连接器、工业线束产品一站式解决方案。

We focus on industrial waterproof connectors and custom wire harness. Covering more than 200 categories in various industries, we expect to develop 10000+ SKU. Currently, our products are widely used in electronic communications, industrial automation machinery and equipment, intelligent manufacturing, robots, Internet of Things, GPS, new energy, solar photovoltaics, wind energy, outdoor LED, marine devices, micro-travel tools (e-bicycles, e-motorcycles, e-scooters), transportation, city management monitoring, exhibitions and entertaining industry etc.

The core value of PLUGOOD Technology is "Advances Together and Strives for Excellence". We strive to build a global service network of industrial connectivity products, and provide customers with high-performance, innovative and reliable one-stop solutions.

5

五大类产品
Five categories

10

10个系列
10 Series

10000+

10000余个品种
More than 10000 Skus

30+

远销30多个国家和地区
More than 30 countries and regions

MAIN BUSINESS

主要业务

产品及服务介绍

公司主营业务及产品涵盖户外电子终端连接器、微出行工具连接器、新能源汽车连接器、电缆插头(航空插)、工业线束等各类工业级连接器/线束定制产品等，拥有应用到各个行业超200多个品种，产品SKU规划近10000+。

We focus on industrial waterproof connectors and custom wire harness. Covering more than 200 categories in various industries, we expect to develop 10000+ SKU. Currently, our products are widely used in electronic communications, industrial automation machinery and equipment, intelligent manufacturing, robots, Internet of Things, GPS, new energy, solar photovoltaics, wind energy, outdoor LED, marine devices, micro-travel tools (e-bicycles, e-motorcycles, e-scooters), transportation, city management monitoring, exhibitions and entertaining industry etc.

业务特色与优势

技术创新与个性化服务
提供一对一的定制化服务，确保客户满意。

Advantage
Innovation and Customization

市场需求

我们紧跟行业趋势，不断调整产品与服务，以满足客户日益增长的需求。

Market Demand
The market demand shows a steady growth trend due to the rise of outdoor sports, the expansion automotive electronics market and the rapid development of the Internet of Things

目标客户群体

目前产品被广泛应用于电子通信、户外LED、船舶航海、轨道交通100+应用领域市场。

Target Customers
Over 100 industries including electronic communication, outdoor LED, shipping, railway transportation etc.

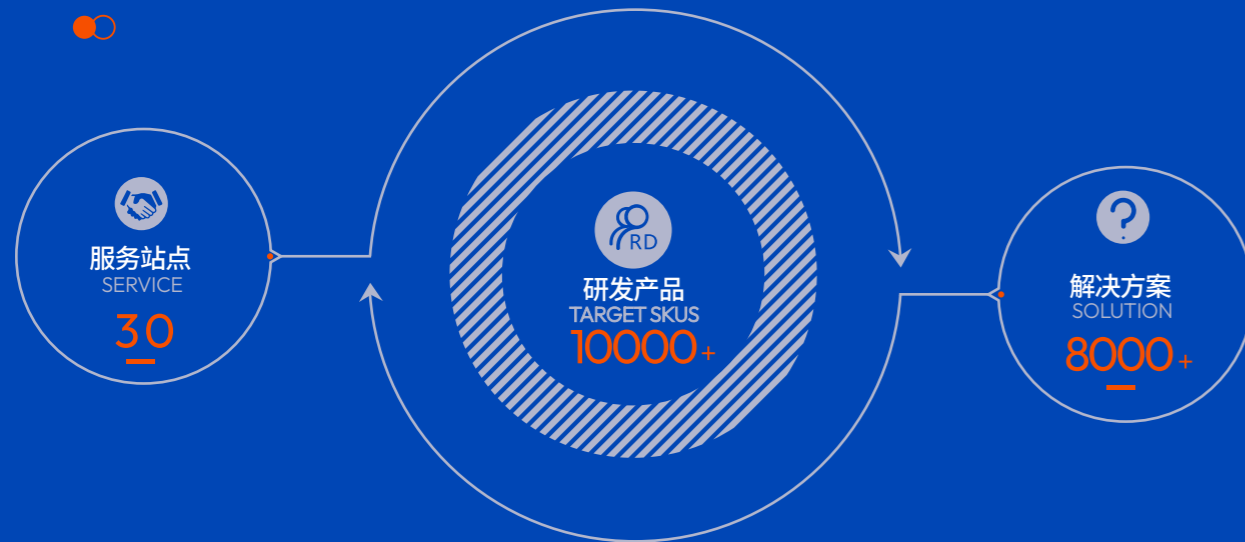
市场定位

我们将自己定位为技术创新型企业，专注于提供高效、智能的解决方案。

Market Positioning
We position ourselves as a technologically innovative enterprise focusing on providing efficient and intelligent solutions.

COMPANY DEVELOPMENT

发展历程与前景



2022 新征程
成立工业连接器事业部

2015
成立背景和初衷

“普乐固”“PLUGOOD”始于2015年，专注工业连接器设计、研发、生产、制造、销售，由创始人洞察市场创立，旨在为全球提供优质产品

Our own brand “PLUGOOD” was founded in 2015 when market economy was growing fast. The owner, Mr. Zhou Hong Jun, who has been successful in cable manufacturing, decided to set up another innovative enterprise focusing on design, R&D, manufacturing and sales of industrial connectors.

2024
里程碑事件

2024年8月，新的工业连接器工厂，研发中心与实验室正式投入使用。

In August 2024, a new factory is set up for manufacturing industrial connectors, including R&D center and Testing Lab.

01
SMART FACTORY
智能工厂打造

100%

打造自主标准的连接器综合解决方案
智能制造商，市场占有率显著提高。
Building a smart factory to provide connector solutions, aiming to significantly increase our market share in the industry.

02
TURNOVER GROWTH
营业额增长

300%

COMPANY PROSPECT 公司前景

03
AUTOMATED MANUFACTURING
COVERAGE
自动化智能制造覆盖率

>80%

04
FULLY IMPLEMENT BUSINESS
INTELLIGENCE INFORMATIZATION
OPERATING MODE
实现全维度
商业智能信息化运营式

100%

过往成就与荣誉

“普乐固”品牌连续多年被评为行业领军企业多次受邀参加国际展会，展示创新成果。

The brand “PLUGOOD” has been rated as a leader in the industry for years; and has been invited to participate in international events to display our innovative designs.

2024
发展历程中的关键节点

- 获批20项专利成果
- 汇聚超20年行业研发的强大资深团队
- 2024年参加德国红点设计奖及iF设计奖
- 产品符合CQC/TUV/UL/CE等多项权威认证。

- A strong R&D Team with 20 years experience in connector industry.
- Obtained 20 patents on our products.
- Received iF Design Awards
- Obtained CQC/TUV/UL/CE/RoHS etc

2025
成就与荣誉

- * iF设计奖
- * TUV目击测试授权实验室
- * 广东省机器人协会常务理事

QUALIFICATION & CERTIFICATES

资历认证



东莞市普乐固技术有限公司是一家专注于工业级连接器产品的设计、研发、生产制造、销售于一体的创新型企业，并致力于坚持品牌原创设计理念，旗下自有品牌“普乐固”“PLUGOOD”发展历程始于2015年。普乐固(PLUGOOD)汇聚了超过20年行业研发、生产制造和品质经验的强大资深团队，目前获批20余项专利成果，涵盖海内外发明专利和实用新型专利，并于2024年参加德国红点设计奖，其PLG20产品系列已荣获iF设计奖、美国好设计奖及法国设计奖，符合CQC/TUV/UL/CE/ROHS等多项权威认证。

Dongguan PLUGOOD Technology Co., Ltd is an innovative enterprise focusing on design, R&D, manufacturing and sales of industrial connectors. We are committed to adhering to brand's original design. "PLUGOOD" was registered in 2015, and now has developed into a strong team with 20 years' experience in R&D, manufacturing and quality control in the industry. We have obtained more than 20 patents both at home and abroad. In 2024, we have received iF Design Award, American Good Design Award and French Design Award for PLG series. We have also received multiple authoritative certifications such as CQC, TUV, UL, CE and others.

品质体系认证

Quality system certification



ISO9001 ISO14001 ISO13485 IATF16949

安规体系认证

Safety system certification



TUV CE CQC UL

荣获三大设计奖项

Won three major design awards



美国好设计奖
American Good Design Award



法国设计奖
French Design Award



iF设计奖
iF Design Award

产品专利

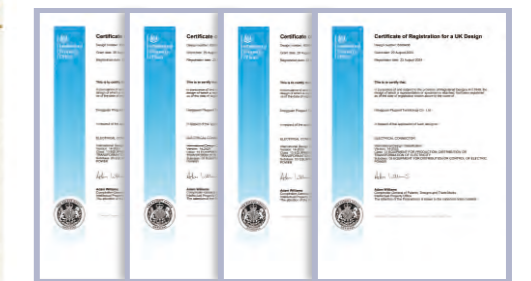
Product patent



美国发明专利
US Patent



欧盟外观专利 Europe Patent



英国外观专利
UK Patent

CORE ADVANTAGES

核心优势



OUR TEAM

研发团队

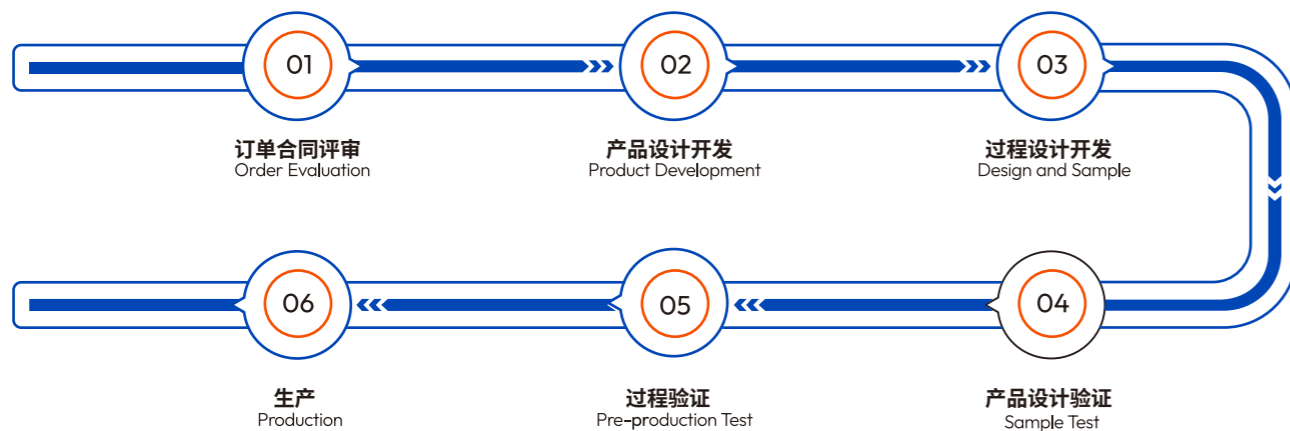
普乐固研发团队近20人, 团队成员拥有丰富的产品开发经验, 大多曾供职于国际连接器大厂 - TE, Amphenol等, 目前已经申请超过20项专利技术, 并已经获得多个专利证书。

Strong R&D Team: over 20 engineers with rich experience in connectors, most of them have worked for brands like Amphenol, TE and so on. Products designed and developed by ourselves have obtained more than 20 patents.



DEVELOPMENT PROCESS

产品开发流程



QUALITY CONTROL PROCESS

品质管控流程



防尘 | 防水 | 防震
Dust-proof | Water-proof | Anti-vibration



“ PRODUCT 产品篇

APPLICATIONS — 应用领域

普乐固 (PLUGOOD) 产品广泛应用于太阳能光伏、电子通信、自动化设备、智能交通、新能源、物联网、机械设备、仪器仪表、船舶、车载设备、户外灯具照明、植物生长灯、清洁设备、医疗设备、安防、LED显示等众多应用领域市场。

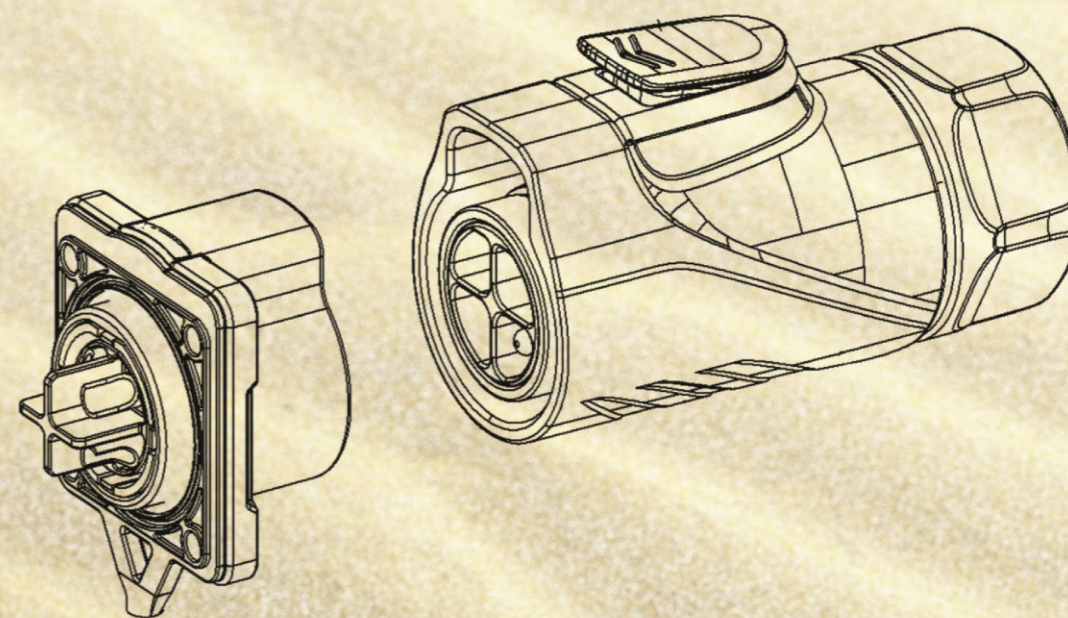
PLUGOOD products are widely used in various fields such as solar photovoltaics, electronic communications, automation equipment, intelligent transportation, new energy, Internet of Things, machinery, instruments and meters, marine equipment, automotive equipment, outdoor lighting, plant growth lights, cleaning equipment, medical devices, security and LED displays etc.

PLUGOOD



PRODUCT INTRODUCTION

产品介绍



产品系列

◎ PLG

按扣自锁连接
Snap-on Quick Locking Connectors

◎ PLT

螺纹连接器
Thread Locking Connectors

◎ PLB

卡扣连接器
Bayonet Connectors

◎ PLK

卡扣连接器
Bayonet Connectors

◎ PLS




卡扣自锁连接
Bayonet Self-locking Connectors

◎ PLP

推拉自锁连接
Push-pull Self-locking Connectors



技术参数

Technical Parameters

产品 (正反装) Products (normal/reverse mount)	产品型号 Part No.	电源+信号 Power + Signal	数据 Data	混合 Hybrid cores	
	M14	2/3/4/5/7/8/9/10/12 PIN	Type-c	2+4	支持定制 Customization is available
	M16	2/3/4/5/7/9/10/14/16 PIN	RJ45/光纤 RJ45/Fiber	2+6	
	M20/M24	2/3/4/5/7/9/12/16 PIN	RJ45 USB2.0/USB3.0 HDMI2.0/ Fiber	2+6 2+1+5 2+1+7 3+3	

技术参数

Technical Parameters

产品 (正反装) Products (normal/reverse mount)	产品型号 Part No.	电源+信号 Power + Signal	数据 Data	混合 Hybrid cores	
	M28	2/3/4/5/7/8/9/10/14/16 17/20/24/26/35/37 PIN		2+1+7 2+8 3+8 6+5	支持定制 Customization is available
	M36	2/3/4/5/7/8/9/10/12/16 24/32/48/64 PIN		2+1+12 3+8 3+12	

普乐共进
固行求精

Advances Together and Strives for Excellence

PLG

系列

防尘 | 防水 | 防震

Dust-proof | Water-proof | Anti-vibration

工业级连接器

Industrial Level Connector

IP67标品/IP68可选

IP67(standard) / IP68(optional)

PLG-按扣式快捷连接器

PLG Snap-on Quick Locking Connectors



PRODUCT SERIES PLG20 产品系列

焊接款/锁线款
Soldering/Screw Locking Type

PLG -按扣式快捷连接器 PLG Snap-on Quick Locking Connectors

PLG 专利按扣式一键插拔，单手操作实现秒级拆装，防护等级达 IP68，通过最低72小时耐盐雾测试，适配海洋平台、化工设备等高腐蚀场景。内部采用镀金铜针接触件，导电稳定，绝缘阻抗 $\geq 500 \text{ M}\Omega$ ，插拔寿命可超1500次；外壳选用进口PBT工程塑料，耐温范围 $-25^\circ\text{C} \sim 105^\circ\text{C}$ ，抗冲击、阻燃性优异，确保极端温差及震动环境下的可靠连接。该系列支持模块化组合，涵盖电源、信号、数据等多类型，兼容工业自动化、新能源储能、轨道交通及户外通信设备等领域，以军工级品质简化复杂环境布线，为全球工业互联提供安全、耐久的解决方案。

The patented Snap-on quick locking connectors allow one-handed operation of assembly and disassembly. The protection level reaches IP68 and it has passed the minimum 72-hour salt spray test, making it suitable for high-corrosion scenarios such as offshore platforms and chemical equipment. The interior uses gold-plated copper pin contacts which are stable in conductivity with insulation resistance $\geq 500 \text{ M}\Omega$ and a plug-in life of more than 1,500 times. The outer shell is made of imported PBT engineering plastics with a temperature resistance range of -25°C to 105°C excellent impact resistance and flame retardancy ensuring reliable connection in extreme temperature differences and vibration environments. The series supports modular combinations, covering multiple types such as power, signal and data and is compatible with industrial automation, new energy, rail transit and outdoor communication equipment. It simplifies wiring in complex environments with military-grade quality and provides safe and durable solutions for global industrial interconnection.

系列产品信息: Series product information

系列编码:
By Series PLG 20、PLG16、PLG14、PLG24、PLG28、PLG36.....持续开发中
PLG 20, PLG16, PLG14, PLG24, PLG28, PLG36...Under continuous development

开孔尺寸:
By Hole Size 详细开孔尺寸请参考外观尺寸图
For detailed opening dimensions, please refer to the appearance dimension drawing

应用类型:
By Application 多PIN类:2、3、4、5、7、9、12、16、24芯及定制2+6、2+2、6+5芯等
Multi-PIN type: 2, 3, 4, 5, 7, 9, 12, 16, 24 cores and customized 2+6, 2+2, 6+5 cores, etc.
信号类:RJ45、光纤-单纤/双纤
Signal type: RJ45, optical fiber-single fiber/dual fiber
数据类:USB2.0、USB3.0、HDMI2.0、Type-c
Data type: USB2.0, USB3.0, HDMI2.0, Type-c

材质类型:
By Materials 塑胶款/半金属款/全金属款
Plastic/Semi-metal/Full metal

系列简介: Series Introduction

产品类型包含电源、多芯、混合、USB2.0、USB3.0、HDMI、RJ45、光纤、Type-c九大类，塑胶外壳，重量轻，韧性好，金属外壳，抗冲击强度高，采用按扣式锁定，可单手操作，操作简单，安全可靠。

This series include nine categories: power, multi-core, hybrid, USB2.0, USB3.0, HDMI, RJ45, optical fiber and Type C. Plastic shell is light in weight and has good toughness. The metal shell has high resistance. The snap-on locking mechanism allows you to operate with one hand. It is simple to operate, safe and reliable.

主体材料、工艺及表面处理: Main materials, processes and surface treatment

外壳: Shell	材料:工程塑胶/金属 Material: Plastic/Metal	生产工艺:压铸与注塑 Process: Die casting and injection molding	表面处理:镀铬 Surface: Chrome
--------------	---------------------------------------	--	----------------------------

模块材料、工艺及表面处理: Module materials, processes and surface treatment

接触件: Contacts	材料:公/母针(铜合金) Material: Male/Female Pin (Copper Alloy)	生产工艺:机加工&冲压 Process: Machining & Stamping	表面处理:镍底镀金/银 Surface: Gold/silver plated over nickel
------------------	--	--	--

LC光纤接触件: LC fiber optic contacts	材料:公/母端(高模量 玻璃纤维)纤维 Material: Male/Female (High Modulus Fiberglass) Fiber
-------------------------------------	--

绝缘体: Insulator	材料:工程塑料 Material: Engineering Plastic	生产工艺:注塑成型 Process: Injection molding
-------------------	--	---

包装与储存: Packaging and storage

产品采用夹链自封袋，大包装箱有小包装盒，小包装盒上贴有标签，标签上注明产品名称、型号、批号、及产品数量。包装好的产品建议应储存在环境湿度为 $25^\circ\text{C} \pm 3^\circ\text{C}$ ，相对湿度 $< 72\%$ ，周围空气中无酸性、碱性等腐蚀性气体的库房内，其他储存环境可能会影响产品使用寿命。

The product is packed in ziplock bags. The large packaging box has small packaging boxes. The small packaging boxes are labeled with the product name, model, batch number, and product quantity. It is recommended that the packaged products should be stored in a warehouse with an ambient temperature of $25^\circ\text{C} \pm 3^\circ\text{C}$, a relative humidity of $< 72\%$, and no acidic, alkaline or other corrosive gases in the surrounding air. Other storage environments may affect the product life.

登陆官网PLG系列专区: Log in to the official website PLG series area

扫描下方二维码登陆普乐固官网PLG专区，如有疑问可以联系在线客服获取更详尽的产品信息。

Please scan the QR code below to log in to the PLG section of the PLUGOOD official website. If you have any questions, you can contact the online customer service to obtain more detailed product information.



普乐固官网PLG专区二维码



防尘
Dust-proof

防水
Water-proof

防震
Anti-vibration



类 别 **款 式**

电源类
Power



3芯正装
3Pin Forward Mount
半金属套装
Semi-metal 3 Pin Four-hole Set
焊接款/锁线款
Soldering/Screw Locking Type

30A 2芯/3芯可选
2Pin/3Pin



4芯正装
4Pin Forward Mount
半金属套装
Semi-metal 4 Pin Four-hole Set
焊接款/锁线款
Soldering/Screw Locking Type

20A 2/3/4芯可选
2Pin/3Pin/4Pin



7芯正装
7Pin Forward Mount
半金属套装
Semi-metal 7 Pin Four-hole Set
焊接款/锁线款
Soldering/Screw Locking Type

10A 5芯/7芯可选
5Pin/7Pin

信号、数据类
Signal& Data



USB带线款
USB with cable

半金属套装
Semi-metal Set

单航空插头/双航空插头
Single Aviation Connector/
Dual Aviation Connectors

USB2.0/3.0可选
USB2.0/3.0



光纤带线款
Fiber Optic with cable

半金属套装
Semi-metal Set

带铠款/不带铠款
With/without armor

单纤/双纤可选
Single fiber/dual fiber



RJ45套装
RJ45 Set

半金属套装
Semi-metal Set

带线款/不带线款
With/without cable

Cat6/Cat5e可选
Cat6/Cat5e



HDMI套装
HDMI Set

半金属套装
Semi-metal Set

带线款/不带线款
With/without cable

HDMI2.0/2.1可选
HDMI2.0/2.1



16芯正装
16Pin Forward Mount

半金属套装
Semi-metal Set

焊接款/锁线款
Soldering/Screw Locking Type

5A 9/12/16芯可选
9Pin/12Pin/16Pin



2+6芯套装
2+6Pin Set

半金属套装
Semi-metal Set

焊接款/锁线款
Soldering/Screw Locking Type

混合连接器可定制
Hybrid connectors can be customized



APPLICATION SCENARIO

FEATURES OVERVIEW

特点概述



01

◎ 焊接款/锁线款
Soldering/Screw Locking Type

02

◎ 半金属/全金属/全塑胶款
Semi-metal/All-metal/all-plastic

03

◎ 正装 / 反装
Forward / Reverse Mount

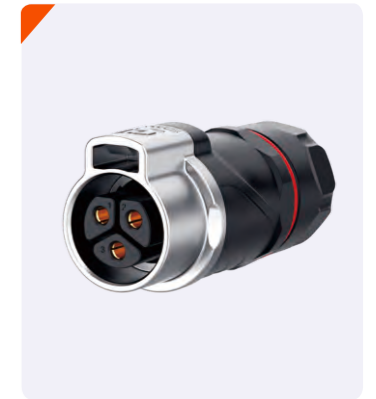
◎ 可搭配母座
Socket Available



金属四孔法兰母座
Metal Four-hole Flange Socket



金属单孔面板母座
Metal Single-hole Panel Socket



半金属对插母座
Metal Butt Socket



快捷方便
Fast and convenient

PLG系列采用按扣式连接设计,即插即用,单手操作,快捷方便。
The PLG series snap-on quick locking system allows you to connect and disconnect with a single hand, plug and play, fast and convenient.



耐严寒、耐高温
Resistant to severe cold and high temperature

可适应广域的高低环境温度,塑胶款为-25~+105°C,全金属款为-40~+125°C。
It can adapt to a wide range of high and low temperature environments. The plastic model is -25 to +105°C, and the all-metal model is -40 to +125°C.



高防水性能
High waterproof performance

产品在连接状态下可达到IP68防护等级以上,目前标配IP67,用户可根据需求选配IP67/IP68级别
The product can achieve a protection level of IP68 or above when connected. Currently, it is equipped with IP67 standard, and users can choose IP67 or IP68 levels according to their needs



户外应用场景

Outdoor application scenarios

特点概述

Feature Overview



颜色可定制, 您的专属款

PLG系列提供可定制外壳主体全金属款黑色、金属、银色、钛空灰等色系定制服务, 满足用户的个性化需求。
PLG series can now tailor colors like black, gun-metal, tarnish, titanium gray and any other colors for the full-metal connectors to meet customers' personalized requirement.



安装方式灵活, 适应不同场景

PLG系列有单孔螺纹座、四孔法兰座、移动对接三种安装方式可选, 用户可根据实际应用场景选择。
The PLG series has three installation options: single-hole panel mount, four-hole flange mount and mobile docking. Users can choose according to the actual application scenario.



多种接线方式, 用户随心选

PLG系列提供锁螺丝与焊接两种接线方式的产品类型, 锁线快捷方便, 焊接加压接更牢靠。
The PLG series provides two types of connection: screw locking and soldering. Screw locking is quick and convenient, while soldering is more reliable.

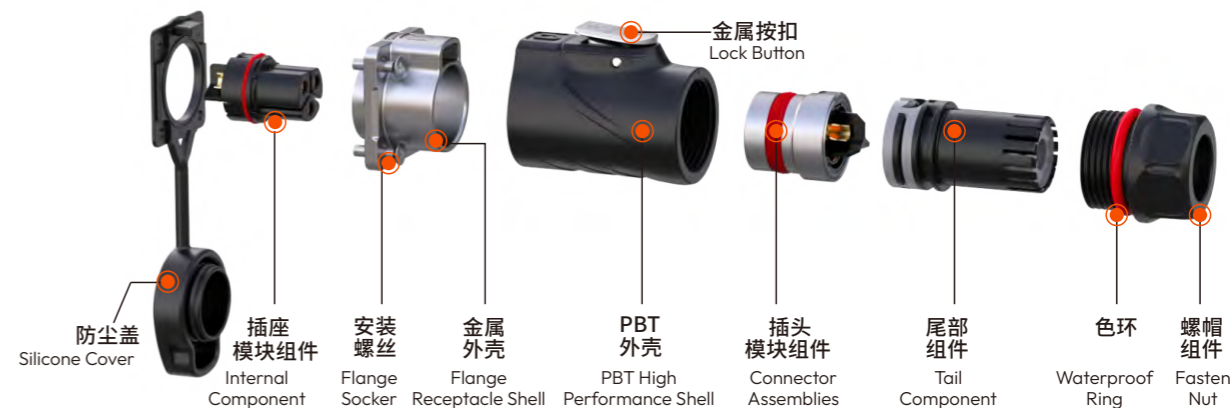


密封防尘盖, 颜色可定制

密封防尘盖标配黑色, 可多色选择, 满足用户个性化需求。
The sealed dust cover comes in black as standard, and is available in multiple colors to meet the user's personalized needs.

产品结构图

Product Structure



PLG20

PLG20

NEW RELEASE 新品推荐



PLG20 弯头设计 PLG20 Angled Connector Series

普乐固 (PLUGOOD) PLG系列应用防水连接器, 采用自主专利按压式连接方式, 可实现一键插拔, 单手操作, 适用于各种快捷高效操作场景。产品采用多重专利防水结构设计, 具备高防水性能, 可避免外部水液侵入; PLG系列产品整体外观简约大气, 符合人体工学设计原理, 可满足不同场景对抗干扰、高强度、高耐蚀等差异化诉求。

PLUGOOD PLG series waterproof connectors adopt patented snap-on locking mechanism, making it possible to connect and disconnect with a single hand, plug and play, fast and convenient. They are efficient for various applications. The product adopts multiple patented waterproof structure design, provides significantly high waterproof performance. The overall appearance of PLG series products is simple and aesthetic, conforming to the ergonomic design principle and can meet the demands of anti-interference high strength, high corrosion resistance etc. in different scenarios.

系列产品信息: Series product information

系列编码: By Series	PLG 20、PLG16、PLG14、PLG24、PLG28、PLG36.....持续开发中 PLG 20, PLG16, PLG14, PLG24, PLG28, PLG36... Under continuous development
开孔尺寸: By Hole Size	详细开孔尺寸请参考外观尺寸图 For detailed opening dimensions, please refer to the appearance dimension drawing
应用类型: By Application	多PIN类: 2、3、4、5、7、9、12、16、24芯及定制2+6、2+2、6+5芯等 信号类: RJ45、光纤-单纤/双纤 数据类: USB2.0、USB3.0、HDMI2.0、Type-c Multi-PIN type: 2, 3, 4, 5, 7, 9, 12, 16, 24 cores and customized 2+6, 2+2, 6+5 cores, etc. Signal type: RJ45, optical fiber-single fiber/dual fiber Data type: USB2.0, USB3.0, HDMI2.0, Type-c
材质类型: By Materials	塑胶款/半金属款/全金属款 Plastic/Semi-metal/Full metal

安装方式灵活, 适应不同场景

PLG20系列有直头带线款、左弯款、右弯款、45°弯头款、90°弯头款、等多种款式可选, 用户可根据实际应用场景随心选择。

PLG20 series has straight, left angled, right angled, 45° and 90° connectors available for customers to meet their actual application scenario.

登陆官网PLG系列专区:

需了解更多产品类别请登陆普乐固官网PLG专区, 如有疑问可以联系在线客服获取更详尽的产品信息。

Please log in www.plugconn.com to contact online customer service if you have any questions or need any more detailed information.



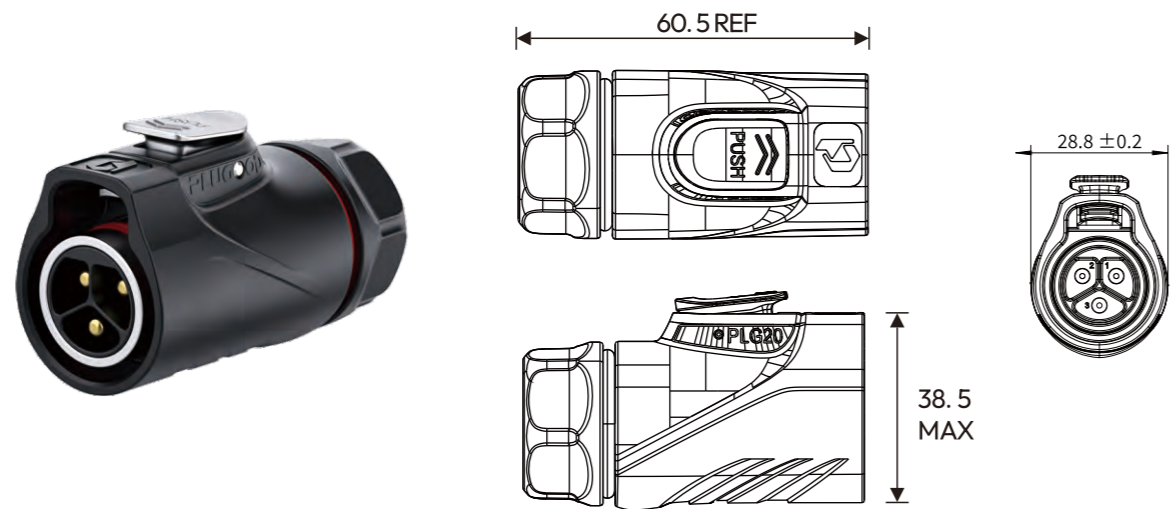
PRODUCT SIZE

PLG20 产品外观尺寸图

PLG20

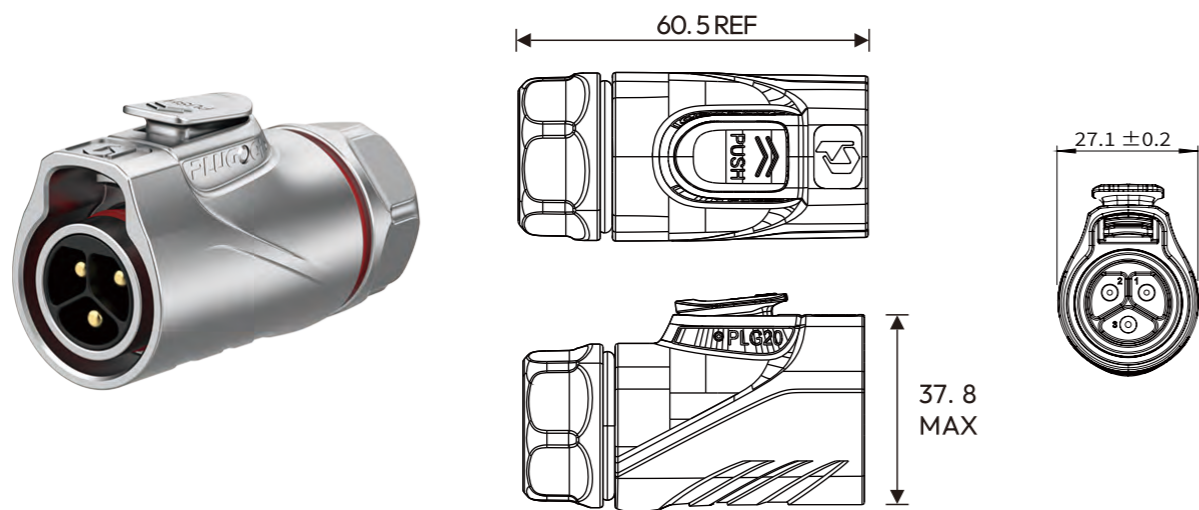
半金属插头

Semi-metal



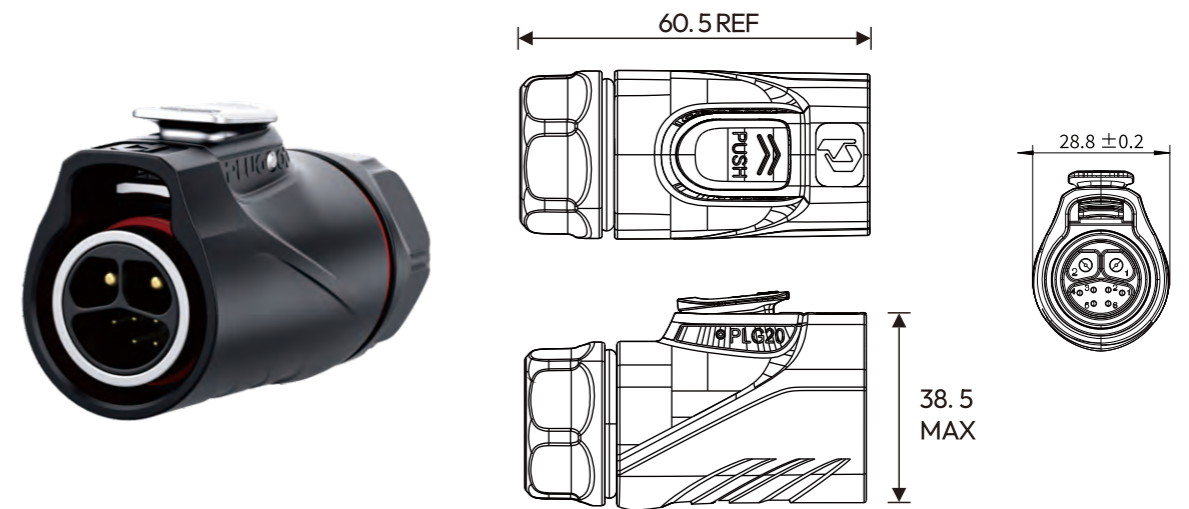
全金属插头

Full-metal



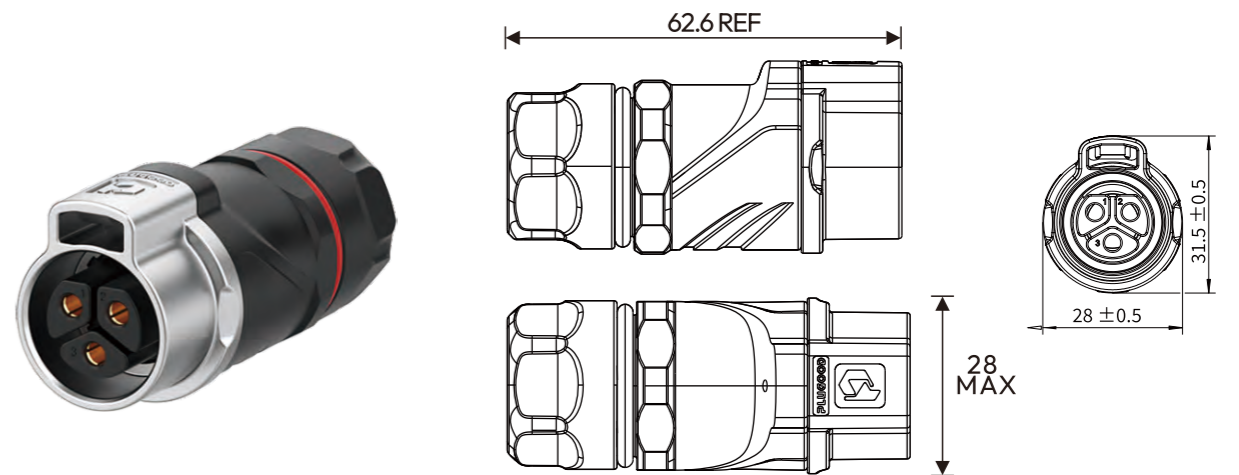
混合芯插头

Hybrid-core



对接插座

Mating Socket



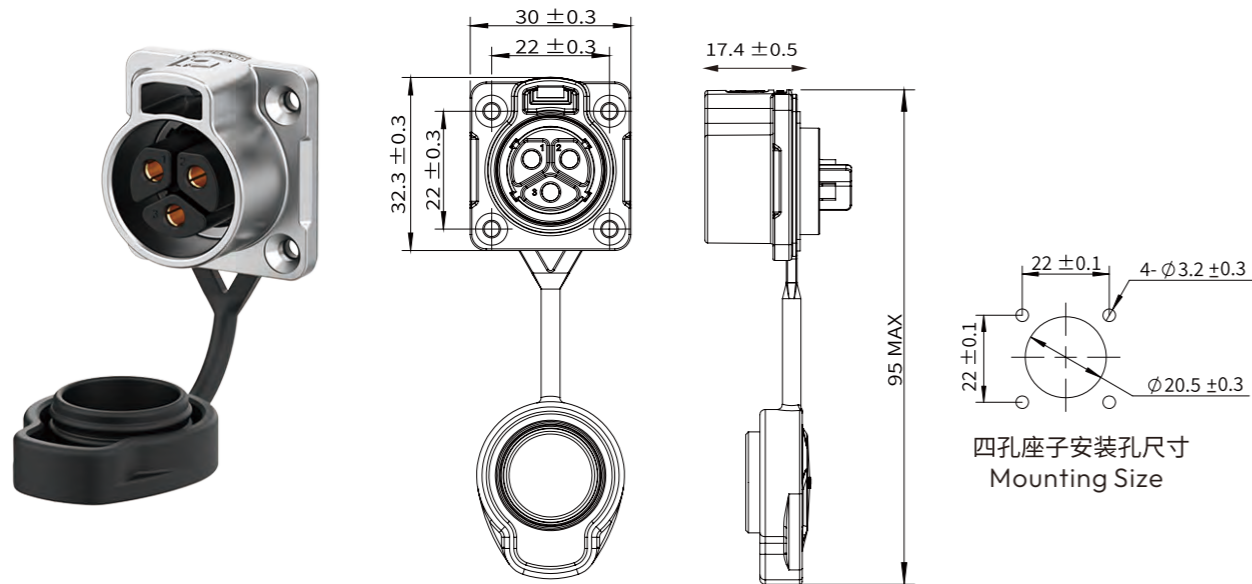
PLG20

PRODUCT SIZE

PLG20 产品外观尺寸图

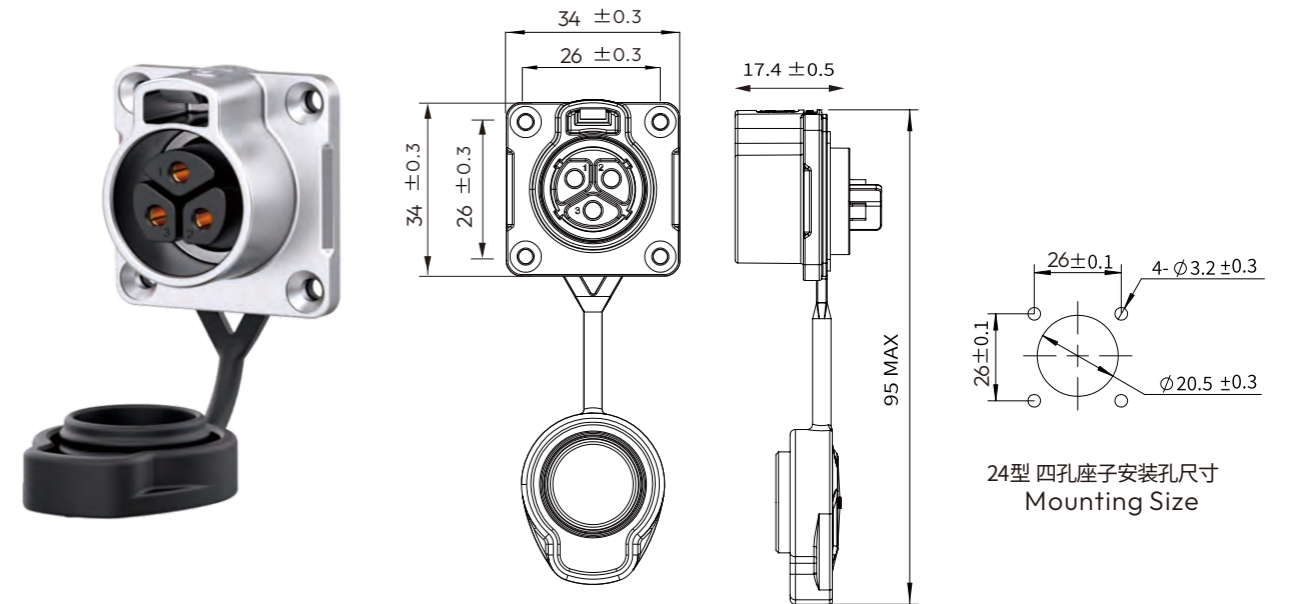
PLG 20 四孔法兰插座 (20型)

PLG 20 Four-hole Frange Socket(20)



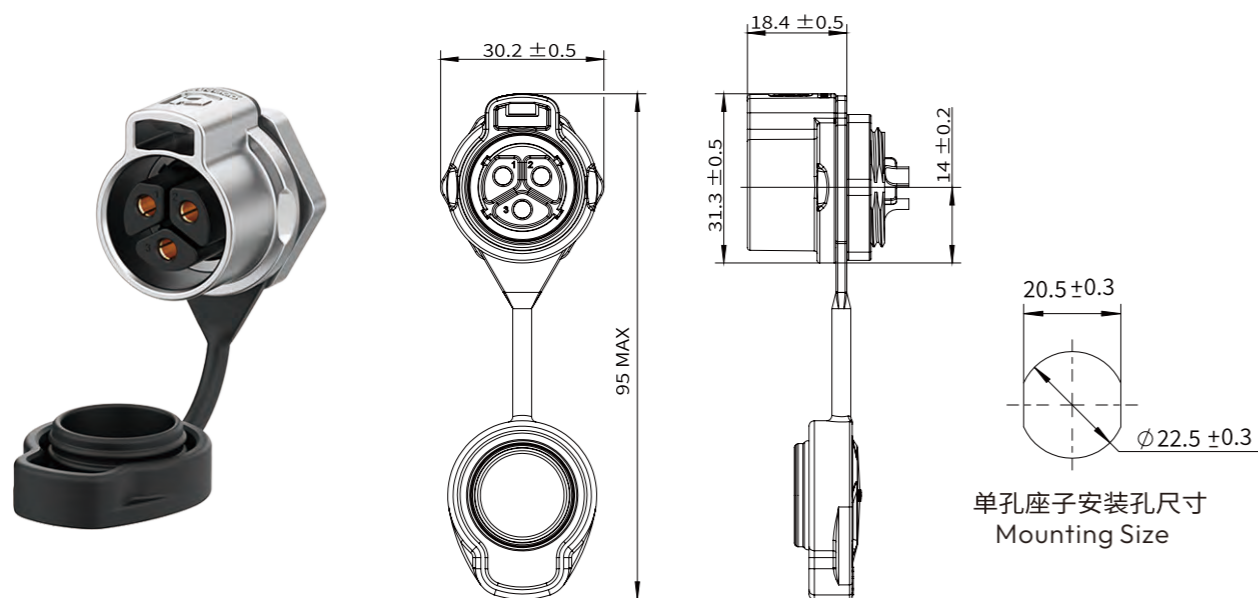
PLG 20 四孔法兰插座 (24型)

PLG 20 Four-hole Frange Socket(24)



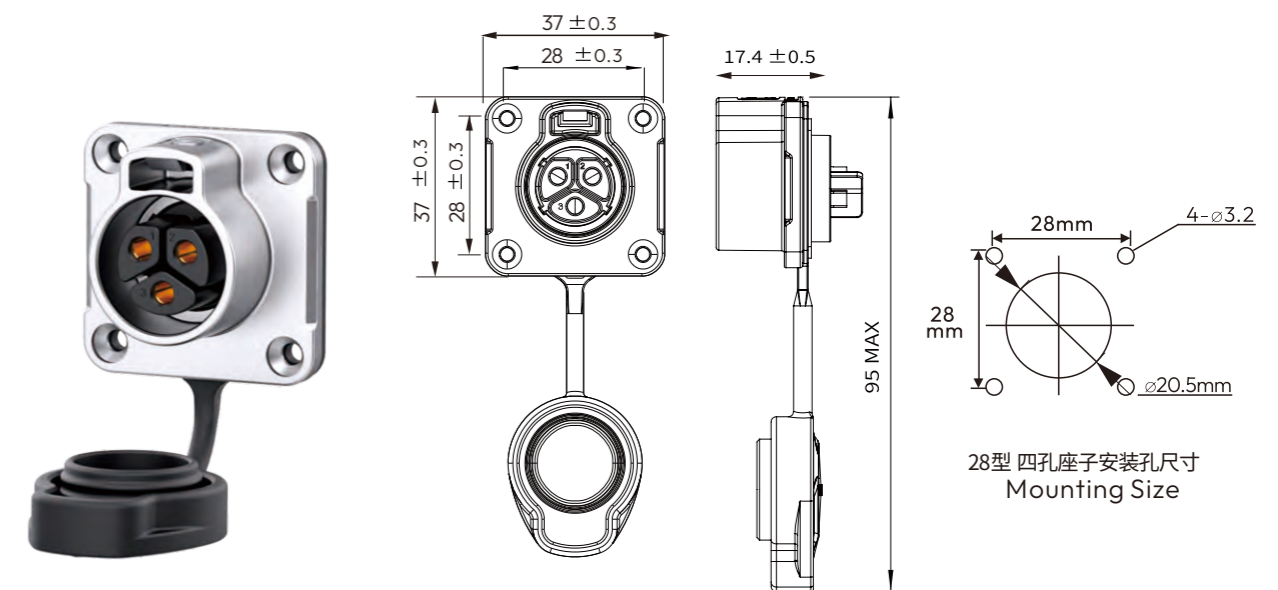
PLG 20 单孔插座

PLG 20 Single-hole Socket



PLG 20 四孔法兰插座 (28型)

PLG 20 Four-hole Frange Socket(28)



PLG20

PLG20

端子直径 Contact		3.0mm		2.6mm		2.6mm		1.9mm	
镀金 Gold Plated		4U" MIN		4U" MIN		4U" MIN		2U" MIN	
芯数 Number of cores		2芯 2Pin	3芯 3Pin	2芯 2Pin	3芯 3Pin	4芯 4Pin	5芯 5Pin	7芯 7Pin	
模块 Product Map	焊接母模块 Soldering(Female)								
	焊接公模块 Soldering(Male)								
	锁线母模块 Screwing(Female)								
	锁线公模块 Screwing(Male)								
技术参数 Specifica- tions	额定电压 Voltage	500V AC (可按要求定制) Can be customized							
	耐高压 Withstanding Voltage	2500V AC(可按要求定制) Can be customized							
	额定电流 Rated Current	25A/30A (35A可定制) Can be customized		20A(25A可定制) Can be customized		20A(25A可定制) Can be customized		10A (16A可定制) Can be customized	
	绝缘阻抗 Insulation Resistance	500MΩ MIN							
	接触电阻 Contact Resistance	1MΩ MAX		1MΩ MAX		1MΩ MAX		2.5MΩ MAX	
	防水等级 Protection Level	IP67标品/IP68可选 (连接状态下/Connection Status) IP67 (IP68 optional)							
	机械寿命 Mechanical Life	500次 MIN (3000及以上可定制)				500 times Min (3000+ times can be customized)			
	插拔力 Insertion and Extraction Force	100N MAX							
	振动冲击 Vibration Shock	频率:50-1000Hz, Frequency: 50-1000Hz		振幅:5mm, 加速度30g, Amplitude: 5mm, Acceleration of 30g		振动时间:10分钟, 移位<1.5mm, 0.1us无瞬间断路 Vibration Time: 10 minutes, displacement <1.5mm, 0.1us, no instant interruption.			
	适用线规 Wire Gauge	12AWG/4mm²(25A) 10AWG(30A)		12AWG/2.5mm²		12AWG/2.5mm²		16-14AWG/1.5mm²	
	适用线缆外径 Cable OD	φ5.5-13.0mm(可定制/Customization Available) Can be customized							
	盐雾 Salt Spray	72H							
工作温度 Operating Temperature	-25°C~105°C(可定制-40°C~105°C) Can be customized								
认证 Certifications	ROSH/CE/UL/TUV/CQC								

注：以上规格与产品图有所不同，请以承认的产品图为准







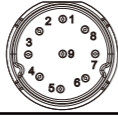

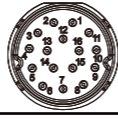





PLG20 SPECIFICATIONS

PLG20 技术参数

● 电源/信号类：
Power / Signal:



端子直径 Contact		1.0mm			3.0+1.0mm	2.6+1.0mm		不同规格端子直径/电流可定制	
镀金 Gold Plated		2U" MIN			3.0: 4U"MIN 1.0: 2U"MIN	2.6: 4U"MIN 1.0: 2U"MIN		可定制	
芯数 Number of cores		9芯 9Pin	12芯 12Pin	16芯 16Pin	3+3芯 3+3Pin	2+6芯 2+6Pin	4+4芯 4+4Pin	可定制	
模块 Product Map	焊接母模块 Soldering(Female)							可定制	
	焊接公模块 Soldering(Male)							可定制	
	锁线母模块 Screwing(Female)	/	/	/	/	/	/		
	锁线公模块 Screwing(Male)	/	/	/	/	/	/		
技术参数 Specifica- tions	额定电压 Voltage	250V AC			250V+100VAC	500V+250VAC	250V+100VAC	可定制	
	耐高压 Withstanding Voltage	1500V AC			1500V+ 1000VAC	2500V+ 1500VAC	1500V+ 1000VAC	可定制	
	额定电流 Rated Current	3A/5A			30A+5A	20A+5A		可定制	
	绝缘阻抗 Insulation Resistance	500MΩ MIN							
	接触电阻 Contact Resistance	5MΩ MAX				1MΩ+5MAX		可定制	
	防水等级 Protection Level	IP67标品/IP68可选 (连接状态下/Connection Status) IP67 (IP68 optional)							
	机械寿命 Mechanical Life	500次 MIN (3000及以上可定制)			500 times Min (3000+ times can be customized)				
	插拔力 Insertion and Extraction Force	100N MAX							
	振动冲击 Vibration Shock	频率:50-1000Hz, Amplitude: 5mm, Acceleration of 30g			振动时间:10分钟, 移位<1.5mm, 0.1us无瞬间断路 Vibration Time: 10 minutes, displacement <1.5mm, 0.1us, no instant interruption.				
	适用线规 Wire Gauge	22AWG/0.3mm ² (3A) 20AWG/0.5mm ² (5A)			10AWG+20AWG	12AWG+20AWG/ 2.5mm ² +0.5mm ²		可定制	
	适用线缆外径 Cable OD	Φ5.5-13.0mm (可定制/Customization Available) Can be customized							
	盐雾 Salt Spray	72H							
工作温度 Operating Temperature	-25°C~105°C (可定制-40°C~105°C) Can be customized								
认证 Certifications	ROSH/CE/UL/TUV/CQC								

注：以上规格与产品图有所不同，请以承认的产品图为准



PLG20 SPECIFICATIONS













PLG20 技术参数

● 电源/信号类：
Power / Signal:



PLG20

PLG20

芯数(母模块) Number of Pins(Female)	 USB2.0	 USB3.0	 HDMI	 Dual Fiber		 Single Fiber	 Rj45
芯数(公模块) Number of Pins (Male)	 USB2.0	 USB3.0	 HDMI	 Dual Fiber		 Single Fiber	 Rj45
插入损耗 Insertion Loss	/			≤0.3db		≤0.3db	/
回波损耗 Return Loss	/			≥50db		≥50db	/
额定电压 Rated Voltage	5V AC	5VAC	5VAC	/		/	125V AC
额定电流 Rated Current	500mA	900mA	500mA	/		/	1.5A
传输速率 Transmission Rate	480Mbps	5.0Gbps	/				1Gbps 250MHz
耐电压 Withstanding Voltage	300V AC			/		/	1000V AC
绝缘阻抗 Insulation Resistance	10MΩ MIN			/		/	500MΩ MIN
插拔寿命 Mechanical Life	500次 MIN			500 times Min			
防水等级 Protection Level	IP67标品/IP68可选 (连接状态下/Connection Status)						
振动冲击 Vibration Shock	频率:50-1000Hz, 振幅:5mm, 加速度30g, 振动时间:10分钟, Frequency: 50-1000Hz Amplitude: 5mm, Acceleration of 30g Vibration Time: 10 minutes.					移位<1.5mm, 0.1us无瞬间断路 displacement <1.5mm, 0.1us, no instant interruption.	
适用线规 Wire Gauge	电源:24AWG, 信号:30AWG (可定制) Can be customized		30AWG (可定制) Can be customized				26AWG (可定制) Can be customized
盐雾 Salt Spray	72H						
工作温度 Operating Temperature	-25°C~85°C (可定制-40°C~85°C) Can be customized						

注：以上规格与产品图有所不同，请以承认的产品图为准

PLG
SERIES

PLG20
SPECIFICATIONS
PLG20 技术参数

● 电源/信号类：
Power / Signal:



PRODUCT SERIES PLG16 产品系列

PLG-16 按扣式快捷连接器 PLG-16 Snap-on Quick Locking Connectors

PLG 专利按扣式一键插拔，单手操作实现秒级拆装，防护等级达 IP68，通过最低72小时耐盐雾测试，适配海洋平台、化工设备等高腐蚀场景。内部采用镀金铜针接触件，导电稳定，绝缘阻抗 $\geq 500\text{ M}\Omega$ ，插拔寿命可超1500次；外壳选用进口PBT工程塑料，耐温范围 $-25^{\circ}\text{C}\sim 105^{\circ}\text{C}$ ，抗冲击、阻燃性优异，确保极端温差及震动环境下的可靠连接。该系列支持模块化组合，涵盖电源、信号、数据等多类型，兼容工业自动化、新能源储能、轨道交通及户外通信设备等领域，以军工级品质简化复杂环境布线，为全球工业互联提供安全、耐久的解决方案。

The patented Snap-on quick locking connectors allow one-handed operation of assembly and disassembly. The protection level reaches IP68 and it has passed the minimum 72-hour salt spray test, making it suitable for high-corrosion scenarios such as offshore platforms and chemical equipment. The interior uses gold-plated copper pin contacts which are stable in conductivity with insulation resistance $\geq 500\text{ M}\Omega$ and a plug-in life of more than 1,500 times. The outer shell is made of imported PBT engineering plastics with a temperature resistance range of -25°C to 105°C excellent impact resistance and flame retardancy ensuring reliable connection in extreme temperature differences and vibration environments. The series supports modular combinations, covering multiple types such as power, signal and data and is compatible with industrial automation, new energy, rail transit and outdoor communication equipment. It simplifies wiring in complex environments with military-grade quality and provides safe and durable solutions for global industrial interconnection.



APPLICATIONS 应用领域

普乐固 (PLUGOOD) 产品广泛应用于太阳能光伏、电子通信、自动化设备、智能交通、新能源、物联网、机械设备、仪器仪表、船舶、车载设备、户外灯具照明、植物生长灯、清洁设备、医疗设备、安防、LED显示等众多应用领域市场。

PLUGOOD products are widely used in various fields such as solar photovoltaics, electronic communications, automation equipment, intelligent transportation, new energy, Internet of Things, machinery, instruments and meters, marine equipment, automotive equipment, outdoor lighting, plant growth lights, cleaning equipment, medical devices, security and LED displays etc.

系列产品信息概述: Series product information

应用类型: By Application	多PIN类:2、3、4、5、7、9、10、14、16芯及定制2+4、2+8芯等 数据类:RJ45/Cat6	Multi-PIN type: 2, 3, 4, 5, 7, 9, 10, 14, 16 cores and customized 2+4, 2+8, cores, etc. Data type: RJ45/Cat6
多PIN类:	额定电压:400V AC (可定制500V AC) (2-4芯), 250V AC (5、7、9芯) 额定电流:10A/16AC (2-4芯), 3A/5A (5、7、9芯)	
材质类型: By Materials	线径:2.6铜针:Φ7.9~10.9 (2/3芯)、1.9铜针:Φ6.4~10.0 (2/3/4芯)、1.0铜针:Φ5.5~11.4 (5/7/9芯)	
	塑胶款/半金属款/全金属款 Plastic/Semi-metal/Full metal	

PLG16

PLG16



防尘

Dust-proof

防水

Water-proof

防震

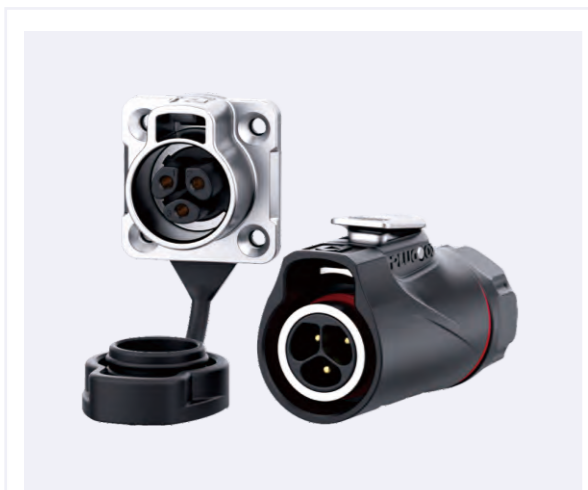
Anti-vibration

类

别

款

式



3芯 套装
3 Pin Set

10A/16A
可选 Optional



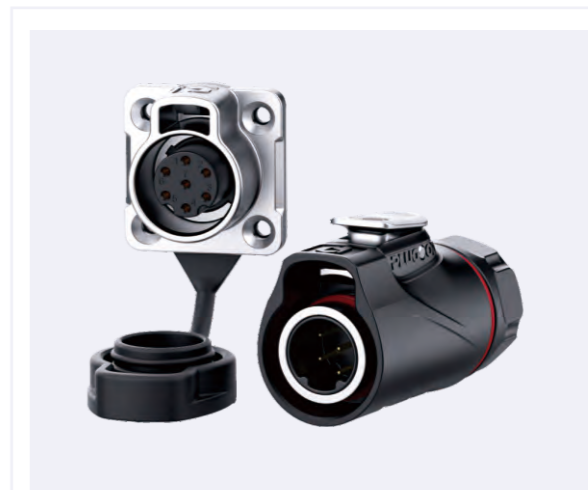
4芯 套装
4 Pin Set

10A/16A
可选 Optional



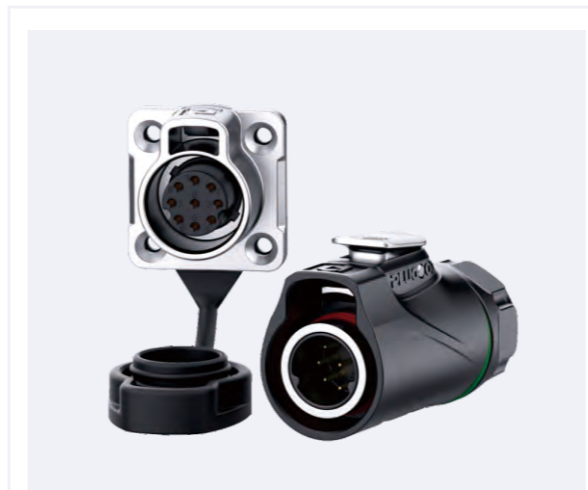
5芯 套装
5 Pin Set

3A/5A
可选 Optional



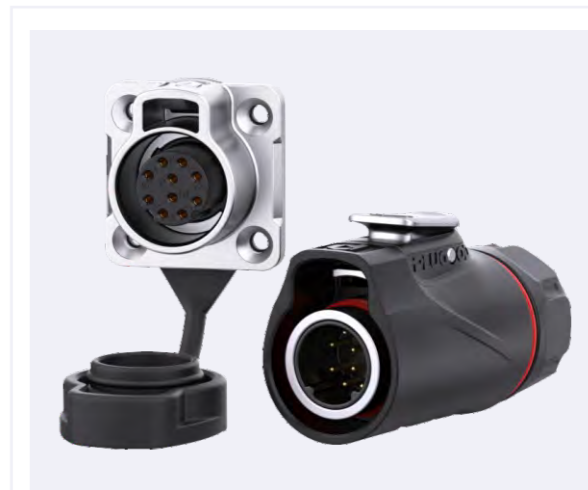
7芯 套装
7 Pin Set

3A/5A
可选 Optional



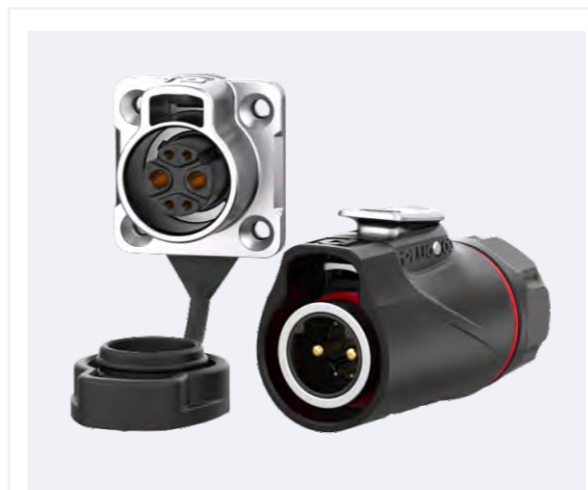
9芯 套装
9 Pin Set

3A/5A
可选 Optional



10芯 套装
10 Pin Set

5A
可选 Optional



2+4芯 套装
2+4 Pin Set

20A/5A
可选 Optional



2+8芯 套装
2+8 Pin Set

10A/5A
可选 Optional

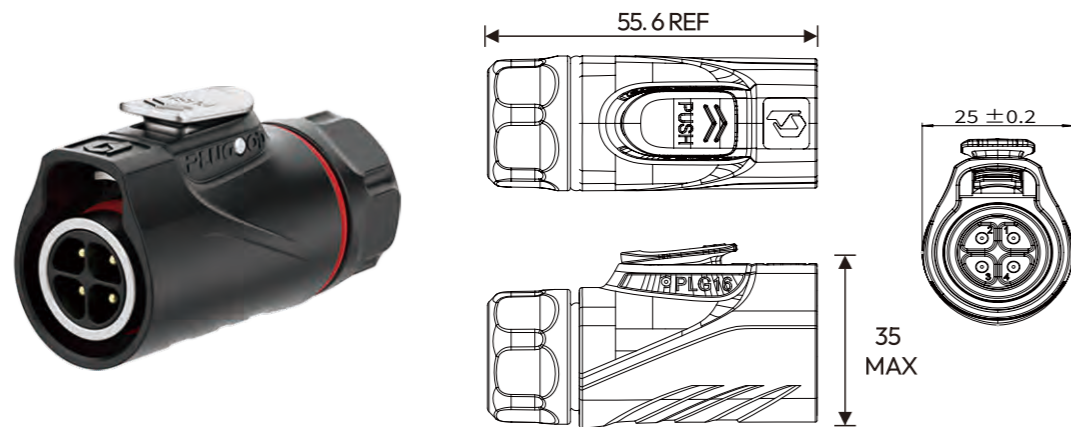
PLG 16

PLG 16

PRODUCT SIZE PLG16 产品外观尺寸图

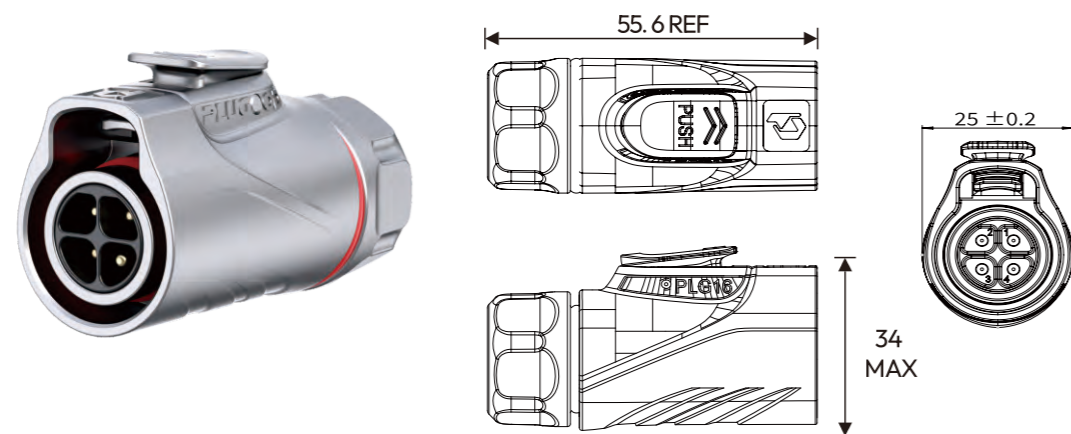
半金属插头

Semi-metal



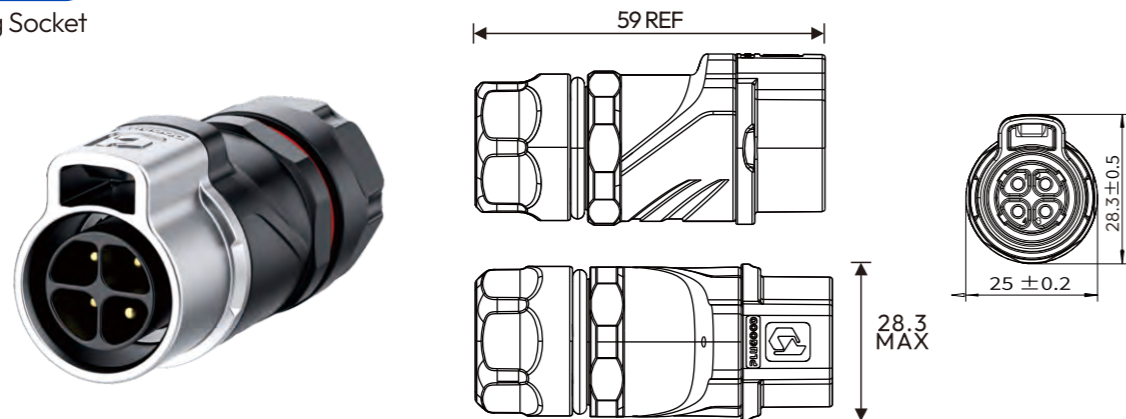
全金属插头

Full-metal



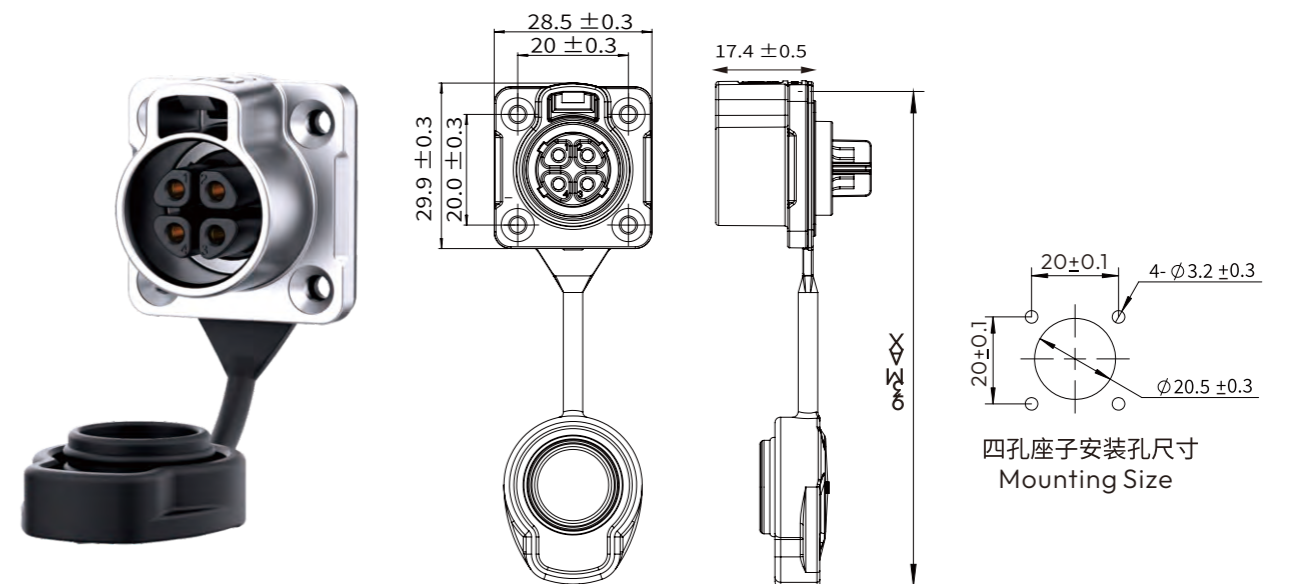
对接插座

Mating Socket



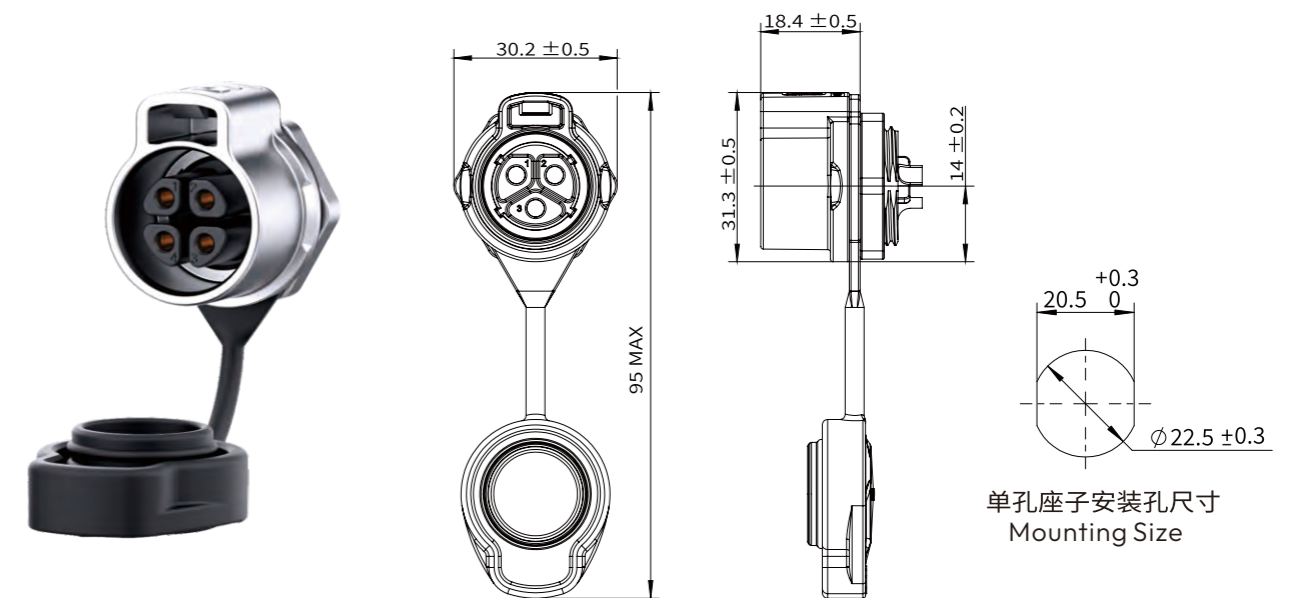
PLG 16 四孔法兰插座

PLG 16 Four-hole Frange Socket







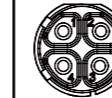








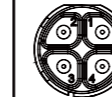




PLG 16 单孔插座

PLG 16 Single-hole Socket



PLG 16

PLG 16

端子直径 Contact		2.6+1.0 mm	1.9mm	1.9+1.0 mm	1.9mm			1.0mm			
镀金 Gold Plated		1.0:2U"MIN 2.6:4U"MIN	2U" MIN	2U" MIN	2U" MIN			2U" MIN			
芯数 Number of cores		2+4芯 2+4Pin	2芯 2Pin	2+8芯 2+8Pin	3芯 3Pin	4芯 4Pin		5芯 5Pin	7芯 7Pin	9芯 9Pin	10芯 10Pin
模块 Product Map	焊接母模块 Soldering(Female)										
	焊接公模块 Soldering(Male)										
技术参数 Specifications	额定电压 Voltage	250V+ 125AC	400V AC/ 500V AC	250V+ 125AC	400V AC (可定制500V AC)			250V AC			
	耐高压 Withstanding Voltage	1500V AC	2000V AC	1500V AC	2000V AC			1500V AC			
	额定电流 Rated Current	20A+5A	10A (16A MAX)	10A+5A	10A (16A MAX)			3A+5A			
	绝缘阻抗 Insulation Resistance	500MΩ MIN									
	接触电阻 Contact Resistance	1mΩ+ 5mΩ MAX	2.5mΩ MAX	2.5mΩ+ 5mΩ MAX	2.5mΩ MAX			5mΩ MAX			
	防水等级 Protection Level	IP67标品/IP68可选 (连接状态下/Connection Status) IP67 (IP68 optional)									
	机械寿命 Mechanical Life	500 次 MIN (3000及以上可定制)					500 times Min (3000+ times can be customized)				
	插拔力 Insertion and Extraction Force	100N MAX									
	振动冲击 Vibration Shock	频率:50-1000Hz, 振幅:5mm, 加速度30g Frequency: 50-1000Hz Amplitude: 5mm, Acceleration of 30g					振动时间:10分钟, 移位<1.5mm, 0.1us无瞬间断路 Vibration Time: 10 minutes, displacement <1.5mm, 0.1us, no instant interruption.				
	适用线规 Wire Gauge	(12+20)AWG (2.5+0.5)mm ²	16~14AWG/ 1.5mm ²	16~14AWG +20AWG (1.5+0.5)mm ²	16~14AWG/ 1.5mm ²			22AWG/0.3mm ² (3A) 20AWG/0.5mm ² (5A)			
	适用线缆外径 Cable OD	Φ5.5-9.0mm (可定制/Customization Available) Can be customized									
	盐雾 Salt Spray	72H									
工作温度 Operating Temperature	-25°C~105°C (可定制-40°C~105°C) Can be customized										
认证 Certifications	ROSH/CE/UL/TUV/CQC										

注：以上规格与产品图有所不同，请以承认的产品图为准

PLG SERIES

PLG16 SPECIFICATIONS

PLG16 技术参数

电源/信号类：
Power / Signal:



PLG16

PLG16

PRODUCT SERIES
PLG14 产品系列



PLG14

PLG14

PLG14 按扣式快捷连接器

PLG-14 Snap-on Quick Locking Connectors

普乐固 (PLUGOOD) PLG14系列应用防水连接器, 采用自主专利按扣式连接方式, 可实现一键插拔, 防触手设计, 单手操作, 产品采用多重专利防水结构设计, 具备高防水性能, 可避免外部水液侵入; PLG14系列产品整体小巧, 且性能强悍, 在同等功能下, 在体积上做减法, 适用于各种紧凑, 安装更加灵活便利

PLUGOOD PLG series waterproof connectors adopt patented snap-on locking mechanism, making it possible to connect and disconnect with a single hand, plug and play, fast and convenient. They are efficient for various applications. The product adopts multiple patented waterproof structure design, provides significantly high waterproof performance. The overall appearance of PLG series products is simple and aesthetic, conforming to the ergonomic design principle and can meet the demands of anti-interference high strength, high corrosion resistance etc. in different scenarios.

系列产品信息:
Series product information

应用类型: By Application	多PIN类: 2、3、4、5、6、7、8、9、10、12芯及定制2+2、2+4芯等 数据类: Type-c	Multi-PIN type: 2, 3, 4, 5, 6, 7, 8, 9, 10, 12 cores and customized 2+2, 2+4, cores, etc. Data type: Type-c
材质类型: By Materials	塑胶款/半金属款/全金属款 Plastic/Semi-metal/Full metal	
开孔尺寸: By Hole Size	详细开孔尺寸请参考外观尺寸图 For detailed opening dimensions, please refer to the appearance dimension drawing	

主体材料、工艺及表面处理:
Main materials, processes and surface treatment

外壳: Shell	材料: 工程塑胶/金属 Material: Plastic/Metal	生产工艺: 压铸与注塑 Process: Die casting and injection molding	表面处理: 镀铬 Surface: Chrome
---------------------	---	--	------------------------------------

模块材料、工艺及表面处理:
Module materials, processes and surface treatment

接触件: Contacts	材料: 公/母针 (铜合金) Material: Male/Female Pin (Copper Alloy)	生产工艺: 机加工&冲压 Process: Machining & Stamping	表面处理: 镍底镀金/银 Surface: Gold/silver plated over nickel
-------------------------	---	--	--

LC 光纤接触件:
LC fiber optic contacts

材料: 公/母端 (高模量 玻璃纤维) 纤维
Material: Male/Female (High Modulus Fiberglass) Fiber

绝缘体: Insulator	材料: 工程塑料 Material: Engineering Plastic	生产工艺: 注塑成型 Process: Injection molding
--------------------------	--	---

包装与储存:
Packaging and storage

产品采用夹链自封袋, 大包装箱有小包装盒, 小包装盒上贴有标签, 标签上注明产品名称、型号、批号、及产品数量。包装好的产品建议应储放在环境湿度为25°C±3°C, 相对湿度<72%, 周围空气中无酸性、碱性等腐蚀性气体的库房内, 其他储存环境可能会影响产品使用寿命。

The product is packed in ziplock bags. The large packaging box has small packaging boxes. The small packaging boxes are labeled with the product name, model, batch number, and product quantity. It is recommended that the packaged products should be stored in a warehouse with an ambient temperature of 25°C±3°C, a relative humidity of <72%, and no acidic, alkaline or other corrosive gases in the surrounding air. Other storage environments may affect the product life.



类

别

款

式



2+2芯 套装
2+2 Pin Set

10A/5A
可选 Optional



2+4芯 套装
2+4 Pin Set

10A/3A
可选 Optional



10芯 套装
10 Pin Set

3A
可选 Optional



TYPE-C 套装
TYPE-C Set

5A
可选 Optional



2芯 套装
5 Pin Set

10A
可选 Optional



3芯 套装
7 Pin Set

10A
可选 Optional



4芯 套装
9 Pin Set

5A
可选 Optional



8芯 套装
10 Pin Set

5A
可选 Optional

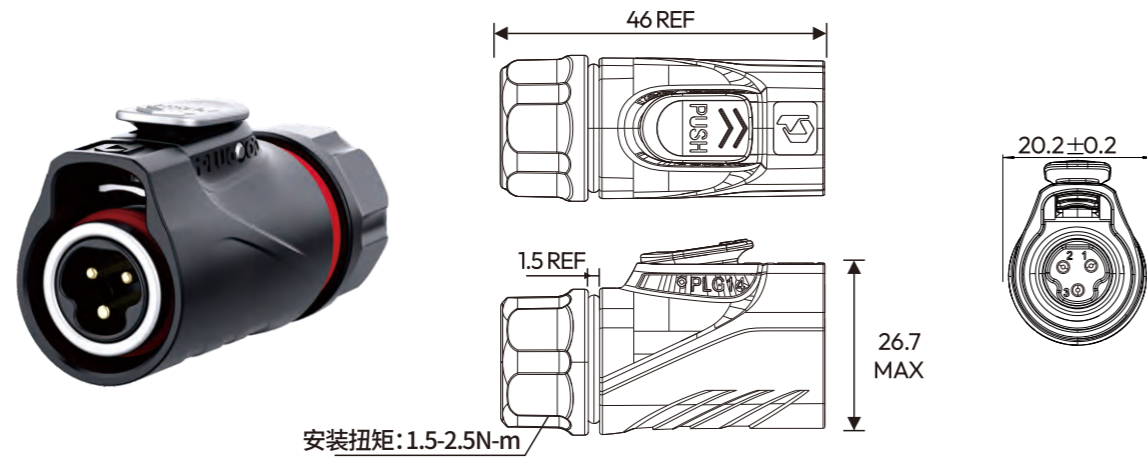
PLG 14

PLG 14

PRODUCT SIZE PLG14 产品外观尺寸图

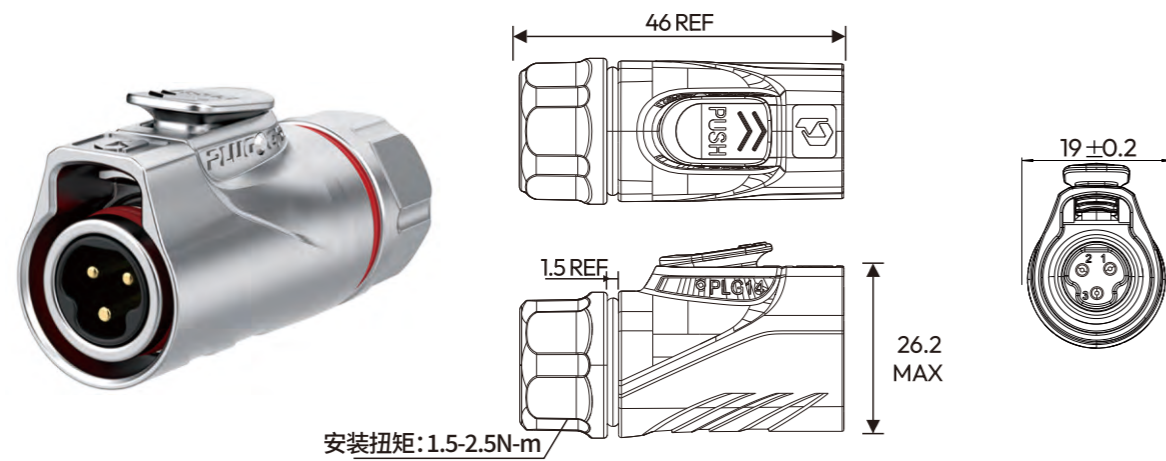
半金属插头

Semi-metal



全金属插头

Full-metal



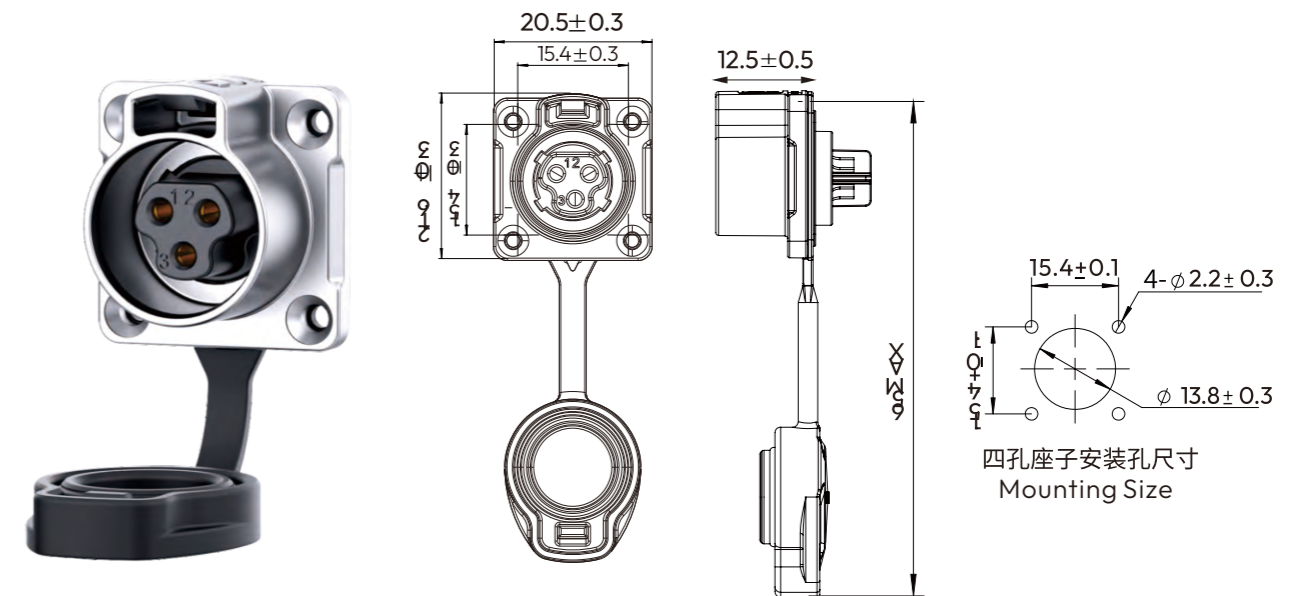
对接插座

Mating Socket



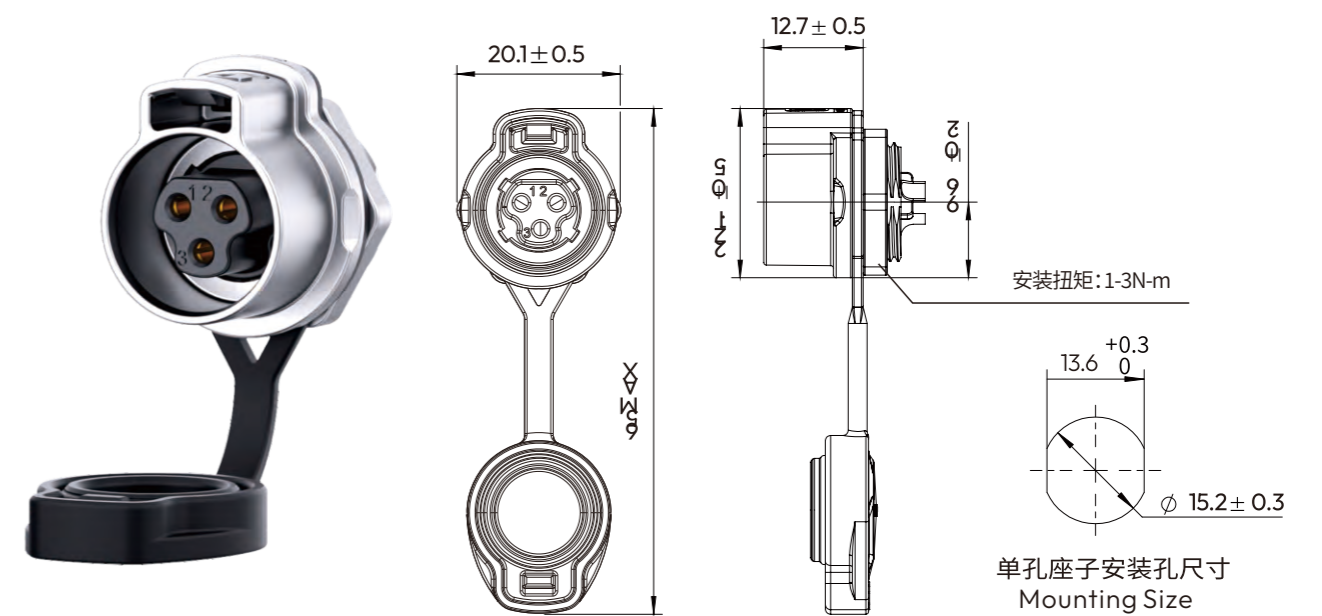
PLG 14 四孔法兰插座

PLG 14 Four-hole Flange Socket



PLG 14 单孔插座

PLG 14 Single-hole Socket



端子直径 Contact		1.5mm	1.5+1.0mm	1.5+0.8mm	1.0mm				0.8mm				
镀金 Gold Plated		2U" MIN		2U" MIN	2U" MIN	2U" MIN			2U" MIN				
芯数 Number of cores		2芯 2Pin	3芯 3Pin	2+2芯 2+4Pin	2+4芯 2+4Pin	4芯 4Pin	8芯 8Pin		10芯 10Pin	1x5P	2x6P	24P	
模块 Product Map	焊接母模块 Soldering(Female)												
	焊接公模块 Soldering(Male)												
技术参数 Specifications	额定电压 Voltage	250V AC		250V+100V AC		250V AC	125V AC		100V AC	5V AC			
	耐高压 Withstanding Voltage	1500V AC					1000V AC			1000V AC	100V AC		
	额定电流 Rated Current	10A	10A+5A	10A+3A	5A	3A/5A			3A	5A			
	绝缘阻抗 Insulation Resistance	500MΩ MIN								100MΩ MIN			
	接触电阻 Contact Resistance	2.5mΩ MAX	2.5mΩ+5mΩ MAX		5mΩ MAX				10mΩ MAX	40mΩ MAX			
	防水等级 Protection Level	IP67标品/IP68可选 (连接状态下/Connection Status) IP67 (IP68 optional)											
	机械寿命 Mechanical Life	500次 MIN (3000及以上可定制)								500 times Min (3000+ times can be customized)			
	插拔力 Insertion and Extraction Force	100N MAX											
	振动冲击 Vibration Shock	频率:50-1000Hz, 振幅:5mm, 加速度30g Frequency: 50-1000Hz Amplitude: 5mm, Acceleration of 30g							振动时间:10分钟, 移位<1.5mm, 0.1us无瞬间断路 Vibration Time: 10 minutes, displacement <1.5mm, 0.1us, no instant interruption.				
	适用线规 Wire Gauge	16AWG/1.5mm ²	16AWG/1.5mm ² +20AWG	16AWG/1.5mm ² +22AWG/0.2mm ²	20AWG/0.5mm ²	22AWG/ 0.3mm ² (3A) 20AWG(5A)	22AWG/ 0.2mm ²						
	传输速率 Transmission Rate	5Gbps											
	适用线缆外径 Cable OD	Φ5.5-7.5mm (可定制/Customization Available) Can be customized							Φ5.5-7.5mm (可定制/Customization Available)				
	盐雾 Salt Spray	72H											
工作温度 Operating Temperature	-25°C~105°C (可定制-40°C~105°C) Can be customized							-25°C~85°C (可定制-40°C~85°C)					
认证 Certifications	ROSH/CE/UL/TUV/CQC												

注：以上规格与产品图有所不同，请以承认的产品图为准



PLG14 SPECIFICATIONS

PLG14 技术参数

电源/信号类：
Power / Signal:



PLG14

PLG14

PRODUCT SERIES
PLG28 产品系列



PLG28

PLG28

PLG28 按扣式快捷连接器

PLG-28 Snap-on Quick Locking Connectors

普乐固 (PLUGOOD) PLG28系列应用防水连接器, 采用自主专利按扣式连接方式, 可实现一键插拔, 防触手设计, 单手操作, 镀银接触件, 适用于各种快捷高效操作场景。产品采用多重专利防水结构设计, 具备高防水性能, 可避免外部水液侵入; PLG28系列产品突破大功率传输, 且整体外观简约大气, 符合人体工学设计原理, 可满足不同场景对抗干扰、高强度、高耐蚀等差异化诉求。

PLUGOOD PLG series waterproof connectors adopt patented snap-on locking mechanism, making it possible to connect and disconnect with a single hand, plug and play, fast and convenient. They are efficient for various applications. The product adopts multiple patented waterproof structure design, provides significantly high waterproof performance. The overall appearance of PLG series products is simple and aesthetic, conforming to the ergonomic design principle and can meet the demands of anti-interference high strength, high corrosion resistance etc. in different scenarios.

系列产品信息:
Series product information

应用类型: By Application	多PIN类: 3、7、8、8、10、10、12、14、16、17、20、24、26、37芯及定制等 混合类: 2+8、3+3、4+4、6+5芯 Multi-PIN type: 3, 7, 8, 8, 10, 12, 14, 16, 17, 20, 24, 26, 37 cores Signal type: 2+8, 3+3, 4+4, 6+5 CORES
材质类型: By Materials	塑胶款/半金属款/全金属款 Plastic/Semi-metal/Full metal
开孔尺寸: By Hole Size	详细开孔尺寸请参考外观尺寸图 For detailed opening dimensions, please refer to the appearance dimension drawing

安装方式灵活, 适应不同场景

PLG28系列大功率传输有压接款、焊接款、锁螺丝款、大针加小针混合大功率等多种款式可选, 用户可根据实际应用场景随心选择。

PLG28 series has straight, left angled, right angled, 45° and 90° connectors available for customers to meet their actual application scenario.

登陆官网PLG系列专区:

需了解更多产品类别请登陆普乐固官网PLG专区, 如有疑问可以联系在线客服获取更详尽的产品信息。

Please log in www.plugconn.com to contact online customer service if you have any questions or need any more detailed information.





户外应用场景
Outdoor application scenarios

PLG
28

PLG28系列-电源+信号类



3芯 套装
3Pin Set

50A
可选 Optional



2+8芯 套装
2+8Pin Set

70A+5A
可选 Optional



4+4芯 套装
4+4Pin Set

35A+5A
可选 Optional



8芯 套装
8Pin Set

20A
可选 Optional



8芯 套装
8Pin Set

10A
可选 Optional



26芯 套装
26Pin Set

3A/5A
可选 Optional

PLG
28

PRODUCT SIZE PLG28 产品外观尺寸图

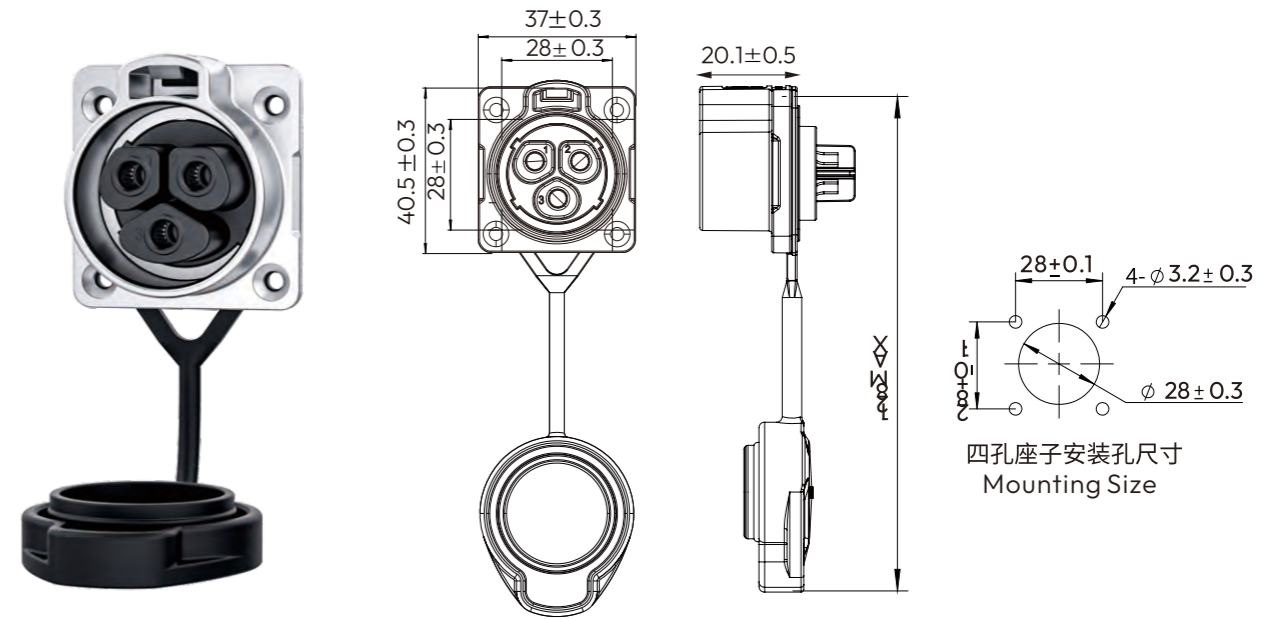
半金属插头

Semi-metal



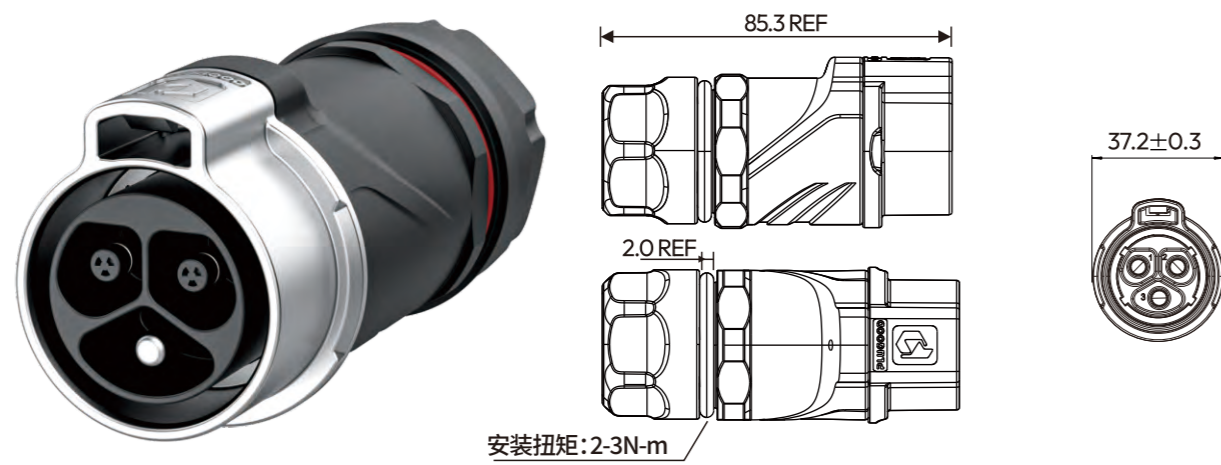
PLG 28 四孔法兰插座

PLG 28 Four-hole Frange Socket



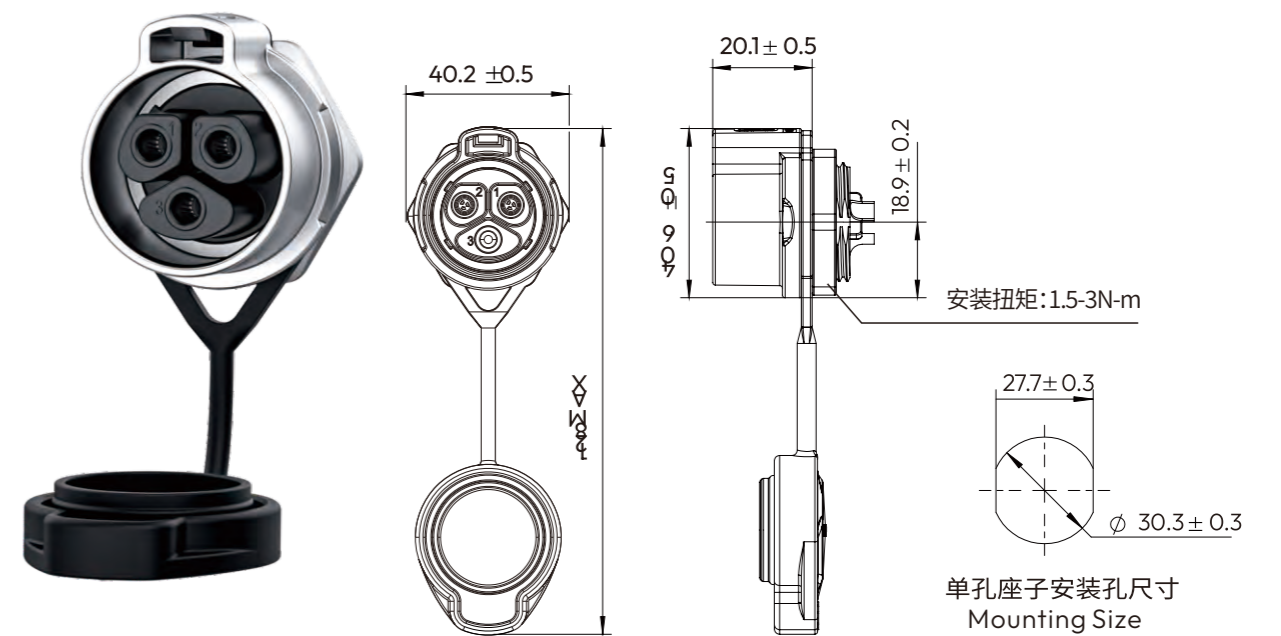
对接插座

Mating Socket



PLG 28 单孔插座

PLG 28 Single-hole Socket



端子直径 Contact		5.0mm	5.0+1.0mm	4.0mm	3.2mm	3.2+1.0mm			3.2+2.6+1.0mm	2.6mm	1.5mm	1.0mm	0.8mm		
镀金 Gold Plated		3-6um Silver Plated	1.0:2U"MIN Gold Plated 5.0:3-6U"MIN Silver Plated	3-6um Silver Plated	4U"MIN Gold Plated	3.2:4U"MIN 1.0:2U"MIN Gold Plated			3.2:4U"MIN 2.6:4U"MIN 1.0:2U"MIN Gold Plated	4U"MIN Gold Plated	2U"MIN				
芯数 Number of cores		2芯 2Pin	2+8芯 2+8Pin	3芯 3Pin	4芯 4Pin	5芯 5Pin	4+4芯 4+4Pin	5+5芯 5+5Pin		6+1+6芯 6+1+6Pin	8芯 8Pin	8芯 8Pin	26芯 26Pin	36芯 36Pin	
模块 Product Map	焊接母模块 Soldering(Female)	可定制			可定制	可定制									可定制
	焊接公模块 Soldering(Male)	可定制			可定制	可定制									可定制
技术参数 Specifications	额定电压 Voltage	500V AC	500V AC+100V AC	500V AC	500V AC	500V AC+100V AC	200V+100V AC		200V+100V AC	500V AC		250V AC	100V AC		
	耐高压 Withstanding Voltage	2500V AC	2500+1500V AC	2500V AC	2500V AC	2500V+1500V AC	1500V AC		1500V AC	2500V AC		1500V AC			
	额定电流 Rated Current	70A	70A+5A	50A	35A	35A+5A			35A+10A+5A	20A (25A可定制)	10A	3A/5A	2A (3A MAX)		
	绝缘阻抗 Insulation Resistance	500MΩ MIN													
	接触电阻 Contact Resistance	1mΩ MAX	1mΩ+5mΩ MAX	1mΩ MAX	1mΩ MAX	1mΩ+5mΩ MAX			1mΩ+5mΩ MAX	1mΩ MAX	2.5mΩ MAX	5mΩ MAX	10mΩ MAX		
	防水等级 Protection Level	IP67标品/IP68可选 (连接状态下/Connection Status) IP67 (IP68 optional)													
	机械寿命 Mechanical Life	500次 MIN (3000及以上可定制)						500 times Min (3000+ times can be customized)							
	插拔力 Insertion and Extraction Force	100N MAX													
	振动冲击 Vibration Shock	频率:50-1000Hz, 振幅:5mm, 加速度30g Frequency: 50-1000Hz Amplitude: 5mm, Acceleration of 30g						振动时间:10分钟, 移位<1.5mm, 0.1us无瞬间断路 Vibration Time: 10 minutes, displacement <1.5mm, 0.1us, no instant interruption.							
	适用线规 Wire Gauge	6AWG/16mm²	6AWG/16mm² +0.5mm²	8AWG/10mm²	8AWG	8+20AWG			8AWG+12AWG+20AWG	12AWG/2.5mm²	16-14AWG/2.5mm²	20AWG/0.5mm²(5A) 22AWG/0.3mm²(3A)			
	适用线缆外径 Cable OD	Φ11.0~18.5mm (可定制/Customization Available) Can be customized													
	盐雾 Salt Spray	72H													
工作温度 Operating Temperature	-25°C~105°C (可定制-40°C~105°C)						Can be customized								
认证 Certifications	ROSH/CE/UL/TUV/CQC														

注：以上规格与产品图有所不同，请以承认的产品图为准

PLG SERIES

PLG28 SPECIFICATIONS

PLG28 技术参数

● 电源/信号类：
Power / Signal:



PLG 28

PLG 28

PRODUCT SERIES PLG36 产品系列

PLG-36 按扣式快捷连接器 PLG-36 Snap-on Quick Locking Connectors

PLG 专利按扣式一键插拔，单手操作实现秒级拆装，防护等级达 IP68，通过最低72小时耐盐雾测试，适配海洋平台、化工设备等高腐蚀场景。内部采用镀金铜针接触件，导电稳定，绝缘阻抗 $\geq 500\text{ M}\Omega$ ，插拔寿命可超1500次；外壳选用进口PBT工程塑料，耐温范围-25°C~105°C，抗冲击、阻燃性优异，确保极端温差及震动环境下的可靠连接。该系列支持模块化组合，涵盖电源、信号、数据等多类型，兼容工业自动化、新能源储能、轨道交通及户外通信设备等领域，以军工级品质简化复杂环境布线，为全球工业互联提供安全、耐久的解决方案。

The patented Snap-on quick locking connectors allow one-handed operation of assembly and disassembly. The protection level reaches IP68 and it has passed the minimum 72-hour salt spray test, making it suitable for high-corrosion scenarios such as offshore platforms and chemical equipment. The interior uses gold-plated copper pin contacts which are stable in conductivity with insulation resistance $\geq 500\text{ M}\Omega$ and a plug-in life of more than 1,500 times. The outer shell is made of imported PBT engineering plastics with a temperature resistance range of -25°C to 105°C excellent impact resistance and flame retardancy ensuring reliable connection in extreme temperature differences and vibration environments. The series supports modular combinations, covering multiple types such as power, signal and data and is compatible with industrial automation, new energy, rail transit and outdoor communication equipment. It simplifies wiring in complex environments with military-grade quality and provides safe and durable solutions for global industrial interconnection.



APPLICATIONS 应用领域

普乐固 (PLUGOOD) 产品广泛应用于太阳能光伏、电子通信、自动化设备、智能交通、新能源、物联网、机械设备、仪器仪表、船舶、车载设备、户外灯具照明、植物生长灯、清洁设备、医疗设备、安防、LED显示等众多应用领域市场。

PLUGOOD products are widely used in various fields such as solar photovoltaics, electronic communications, automation equipment, intelligent transportation, new energy, Internet of Things, machinery, instruments and meters, marine equipment, automotive equipment, outdoor lighting, plant growth lights, cleaning equipment, medical devices, security and LED displays etc.

系列产品信息概述: Series product information

应用类型: By Application	多PIN类: 3, 4, 5, 6, 8, 10, 12, 16, 20, 24, 32, 48, 64芯等 混合针类: 2+8, 2+1+12, 3+3, 3+8, 3+12, 4+4, 5+5	Multi-PIN type: 3, 4, 5, 6, 8, 10, 12, 16, 20, 24, 32, 48, 64 cores Data type: 2+8, 2+1+12, 3+3, 3+8, 3+12, 4+4, 5+5
多PIN类:	额定电压: 500V AC (可定制500V AC) (2-4芯), 250V AC (5, 7, 9芯) 额定电流: 100A/50A/5A (2+1+12芯), 70A/5A (3+3芯, 3+8芯)	
材质类型: By Materials	线径: 2.6铜针: $\Phi 7.9\sim 10.9$ (2/3芯)、1.9铜针: $\Phi 6.4\sim 10.0$ (2/3/4芯)、1.0铜针: $\Phi 5.5\sim 11.4$ (5/7/9芯)	
	塑胶款/半金属款/全金属款 Plastic/Semi-metal/Full metal	

正装 套装
Formal wear, suit



3芯 套装
3Pin Set

70A
可选 Optional



4+4芯 套装
4+4Pin Set

70A+5A
可选 Optional



2+8芯 套装
2+8Pin Set

100A
可选 Optional

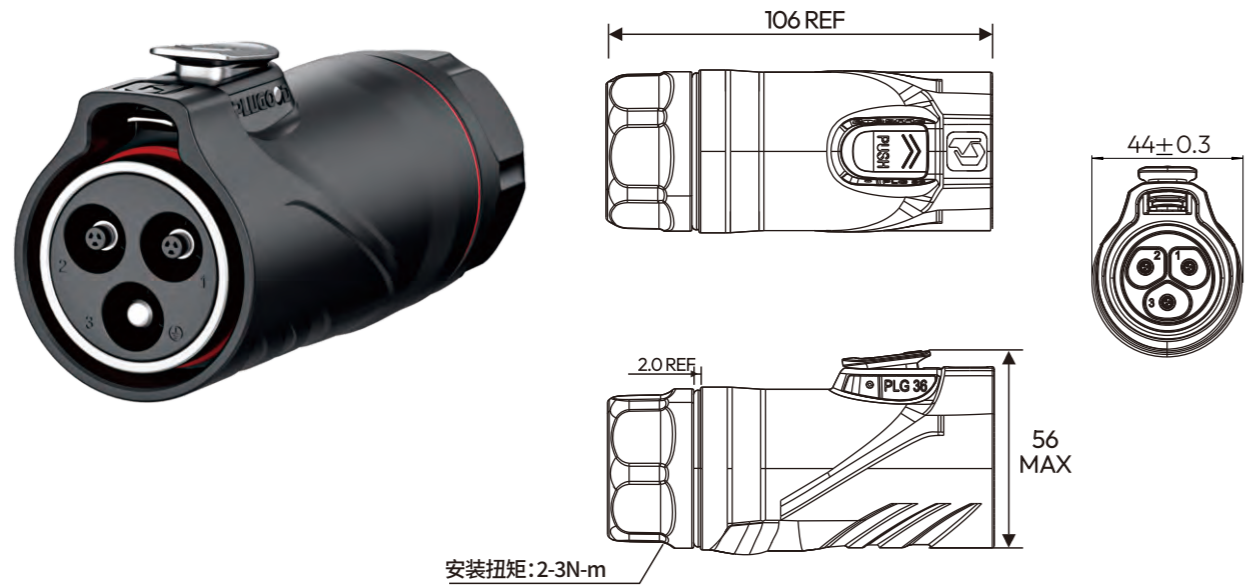
PLG
36

PLG
36

PRODUCT SIZE PLG36 产品外观尺寸图

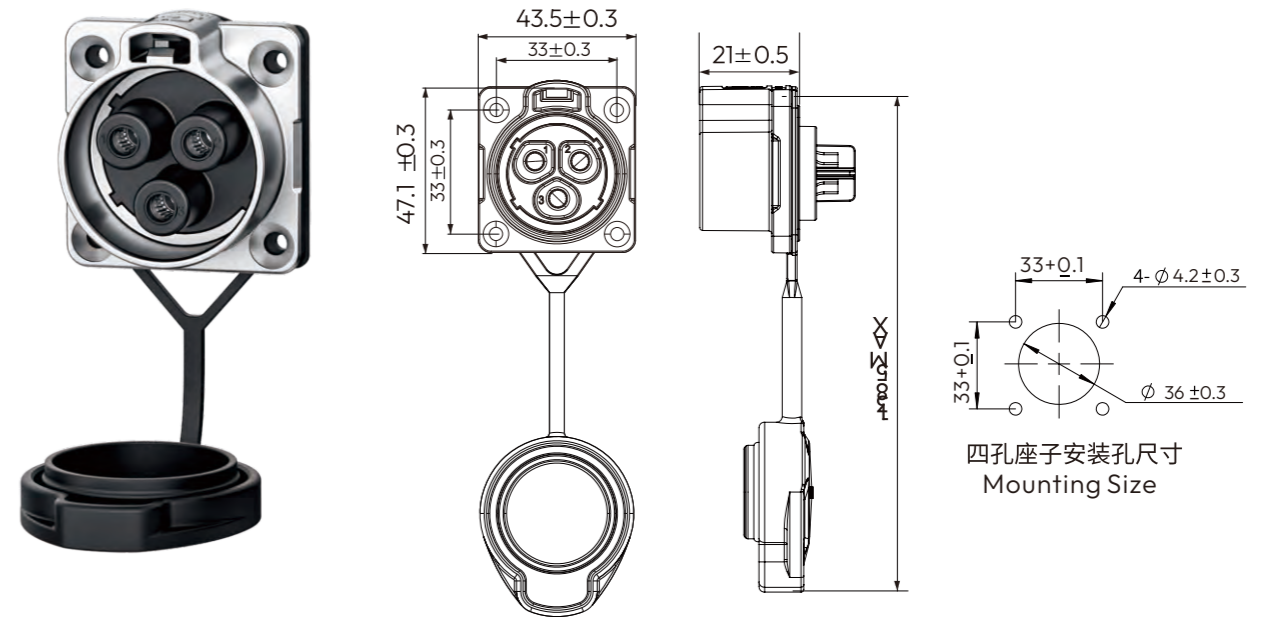
半金属插头

Semi-metal



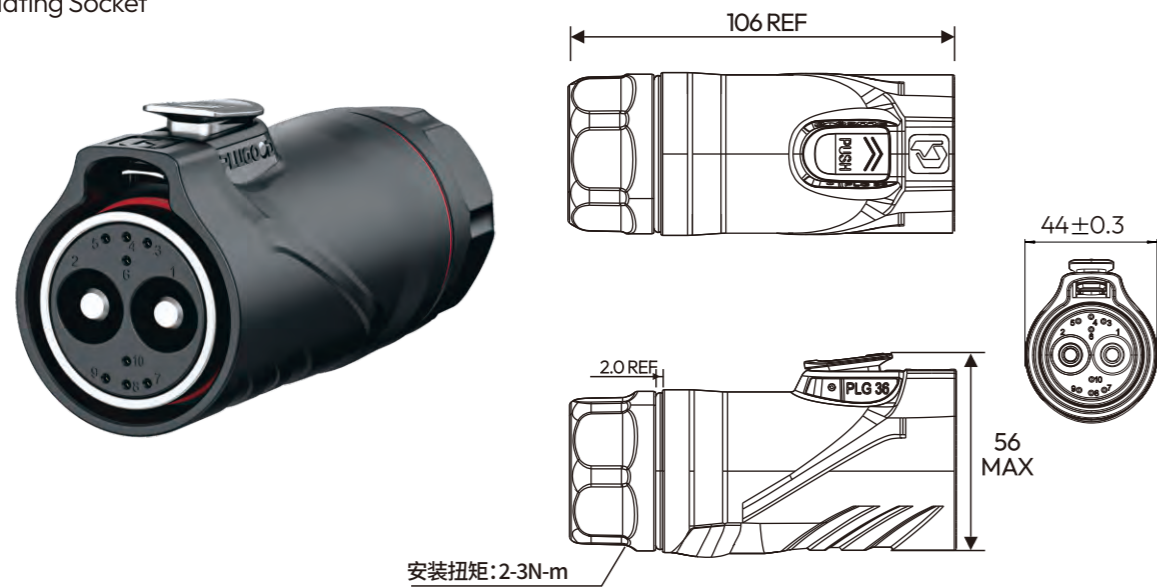
PLG 36 四孔法兰插座

PLG 36 Four-hole Frange Socket



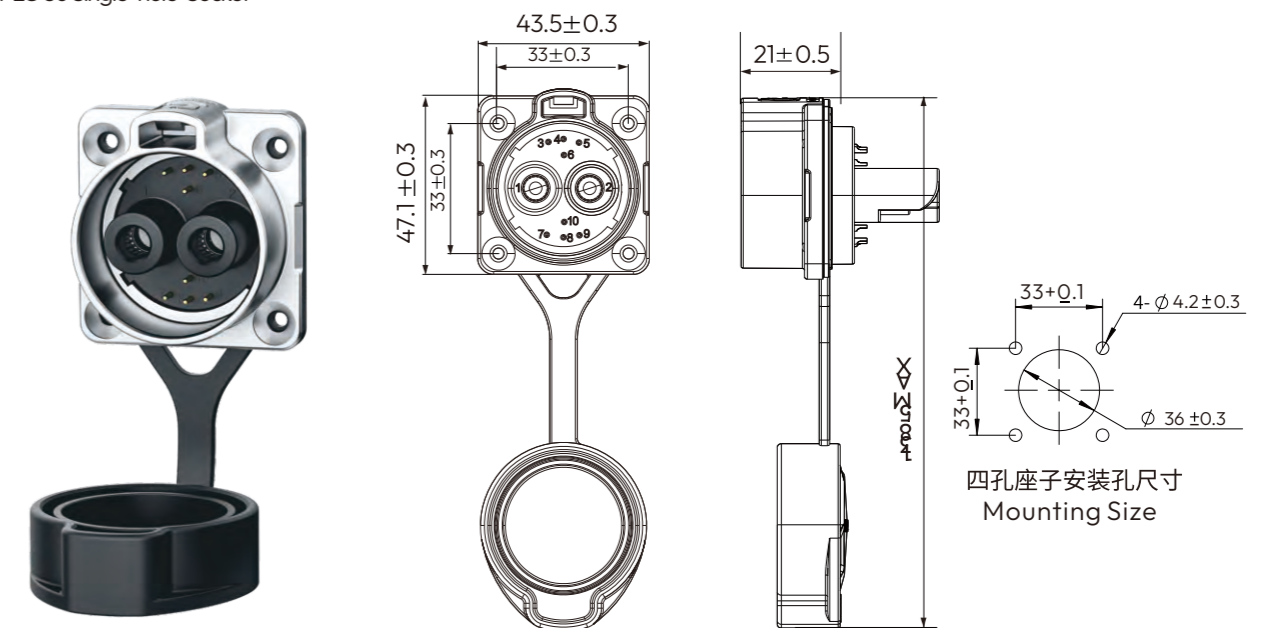
2+8芯混合芯插头

Mating Socket



2+8混合芯插座

PLG 36 Single-hole Socket



端子直径 Contact		6+1.0mm	5.0mm	5.0+1.0mm		4.0mm	可定制	
镀金 Gold Plated		0.3~6u"MIN Silver Plated	0.3~6u"MIN Silver Plated	1.0:2u"MIN Gold Plated 5.0:3~6um Silver Plated		0.3~6u"MIN Silver Plated	可定制	
芯数 Number of cores		2+8芯 2+8Pin	3芯 3Pin	4+4芯 4+4Pin		5芯 5Pin	可定制	
模块 Product Map	焊接母模块 Soldering(Female)						可定制	
	焊接公模块 Soldering(Male)						可定制	
技术参数 Specifica- tions	额定电压 Voltage	500V AC+100V AC	500V AC	500V AC+100V AC		500V AC	可定制	
	耐高压 Withstanding Voltage	2500V +1500V AC	2500V AC	2500V +1500V AC		2500V AC	可定制	
	额定电流 Rated Current	100A+5A	70A	70A+5A		50A	可定制	
	绝缘阻抗 Insulation Resistance	500MΩ MIN						可定制
	接触电阻 Contact Resistance	0.7+5mΩ	0.7mΩ	0.7+5mΩ		1mΩ	可定制	
	防水等级 Protection Level	IP67标品/IP68可选 (连接状态下/Connection Status) IP67 (IP68 optional)						
	机械寿命 Mechanical Life	500 次 MIN (3000及以上可定制)			500 times Min (3000+ times can be customized)			
	插拔力 Insertion and Extraction Force	100N MAX						
	振动冲击 Vibration Shock	频率:50-1000Hz, 振幅:5mm, 加速度30g Frequency: 50-1000Hz Amplitude: 5mm, Acceleration of 30g			振动时间:10分钟, 移位<1.5mm, 0.1us无瞬间断路 Vibration Time: 10 minutes, displacement <1.5mm, 0.1us, no instant interruption.			
	适用线规 Wire Gauge	35mm²(100A) 20AWG/0.5mm²(5A) 22AWG/0.3mm²(3A)	6AWG/16mm²	6AWG/16mm²(70A) 20AWG/0.5mm²(5A) 22AWG/0.3mm²(3A)		8AWG/10mm²	可定制	
	适用线缆外径 Cable OD	Φ18-22.5mm (可定制/Customization Available) Can be customized						
	盐雾 Salt Spray	72H						
	工作温度 Operating Temperature	-25°C~105°C (可定制-40°C~105°C) Can be customized						
认证 Certifications	ROSH/CE/UL/TUV/CQC							

注：以上规格与产品图有所不同，请以承认的产品图为准



PLG36 SPECIFICATIONS

PLG36 技术参数

电源/信号类：
Power / Signal:



NEW RELEASE 线束类

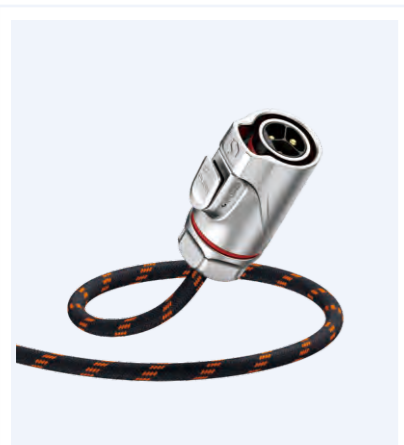


PLG20 按扣式快捷连接器 PLG-20 Snap-on Quick Locking Connectors

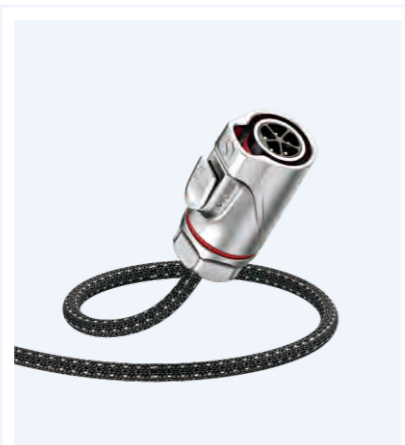
金属款

NEW RELEASE 新品推荐

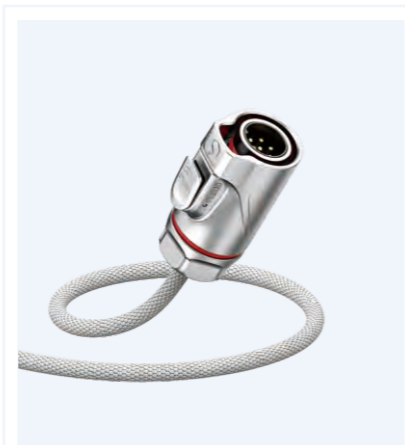
金属款



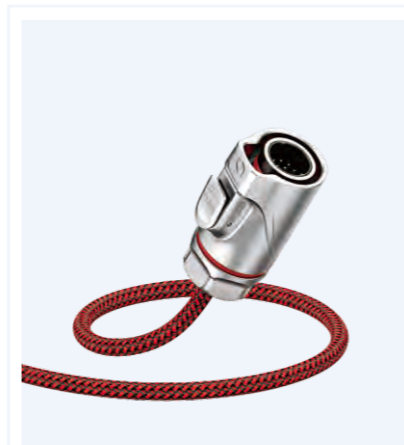
3芯全金属款
3Pin Set
30A
可选 Optional



5芯全金属款
5Pin Set
10A
可选 Optional



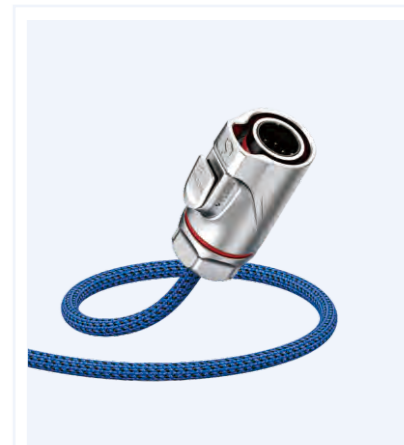
9芯全金属款
9Pin Set
10A
可选 Optional



12芯全金属款
12Pin Set
5A
可选 Optional



12芯全金属款
12Pin Set
5A
可选 Optional



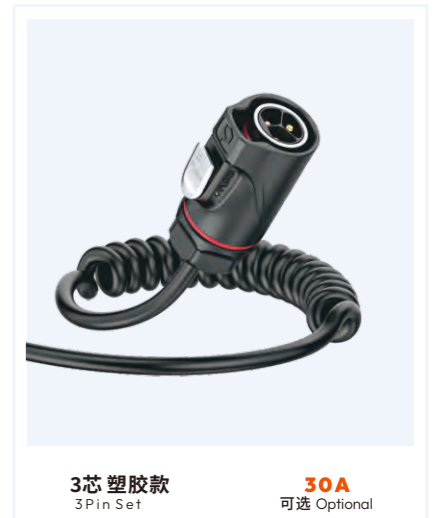
16芯全金属款
16Pin Set
5A
可选 Optional

线束类

线束类



NEW RELEASE
弹簧线



3芯 塑胶款
3Pin Set
30A
可选 Optional

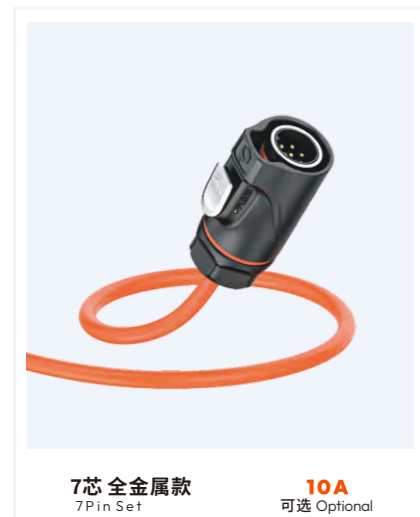


3芯 塑胶款
3Pin Set
30A
可选 Optional

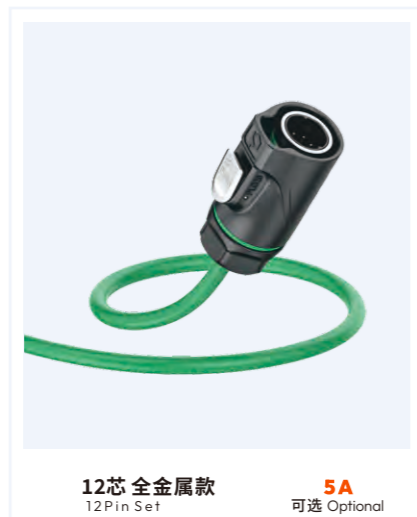
PLG20 按扣式快捷连接器
PLG-20 Snap-on Quick Locking Connectors

◎ 塑胶款

◎ 塑胶款



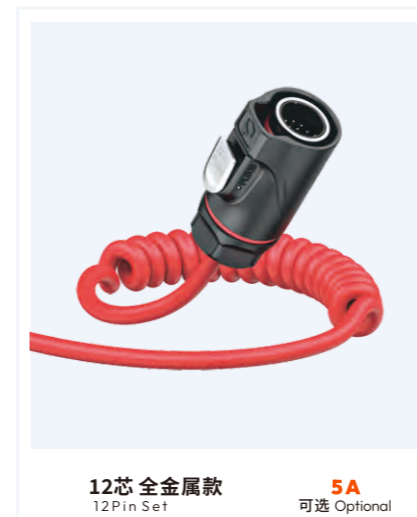
7芯 全金属款
7Pin Set
10A
可选 Optional



12芯 全金属款
12Pin Set
5A
可选 Optional



16芯 全金属款
16Pin Set
5A
可选 Optional



12芯 全金属款
12Pin Set
5A
可选 Optional



9芯 全金属款
9Pin Set
5A
可选 Optional



5芯 全金属款
5Pin Set
10A
可选 Optional

线束类

线束类

WIRE HARNESS CONNECTOR
电源类线束定制连接器



线束类

线束类

普乐共进
固行求精

Advances Together and Strives for Excellence

PLB

系列

防尘 | 防水 | 防震

Dust-proof | Water-proof | Anti-vibration

工业级连接器

Industrial Level Connector

IP67标品/IP68可选

IP67(standard) / IP68(optional)

PLB-卡扣式连接器

PLB Snap-on Quick Locking Connectors



PRODUCT SERIES PLB20 产品系列

焊接款/锁线款
Soldering/Screw Locking Type

PLB -卡扣式连接器 PLB Bayonet Connectors

PLB 专利按扣式一键插拔, 单手操作实现秒级拆装, 防护等级达 IP68, 通过最低72小时耐盐雾测试, 适配海洋平台、化工设备等高腐蚀场景。内部采用镀金铜针接触件, 导电稳定, 绝缘阻抗 $\geq 500 \text{ M}\Omega$, 插拔寿命可超1500次; 外壳选用进口PBT工程塑料, 耐高温范围 $-25^\circ\text{C} \sim 105^\circ\text{C}$, 抗冲击、阻燃性优异, 确保极端温差及震动环境下的可靠连接。该系列支持模块化组合, 涵盖电源、信号、数据等多类型, 兼容工业自动化、新能源储能、轨道交通及户外通信设备等领域, 以军工级品质简化复杂环境布线, 为全球工业互联提供安全、耐久的解决方案。

The patented Snap-on quick locking connectors allow one-handed operation of assembly and disassembly. The protection level reaches IP68 and it has passed the minimum 72-hour salt spray test, making it suitable for high-corrosion scenarios such as offshore platforms and chemical equipment. The interior uses gold-plated copper pin contacts which are stable in conductivity with insulation resistance $\geq 500 \text{ M}\Omega$ and a plug-in life of more than 1,500 times. The outer shell is made of imported PBT engineering plastics with a temperature resistance range of -25°C to 105°C excellent impact resistance and flame retardancy ensuring reliable connection in extreme temperature differences and vibration environments. The series supports modular combinations, covering multiple types such as power, signal and data and is compatible with industrial automation, new energy, rail transit and outdoor communication equipment. It simplifies wiring in complex environments with military-grade quality and provides safe and durable solutions for global industrial interconnection.

系列产品信息: Series product information

系列编码: PLB 20、PLB16、PLB14、PLB24、PLB28、PLB36.....持续开发中
By Series PLG 20, PLG16, PLG14, PLG24, PLG28, PLG36...Under continuous development

开孔尺寸: 详细开孔尺寸请参考外观尺寸图
By Hole Size For detailed opening dimensions, please refer to the appearance dimension drawing

应用类型: 多PIN类: 2、3、4、5、7、9、12、16、24芯及定制2+6、2+2、6+5芯等
信号类: RJ45、光纤-单纤/双纤
数据类: USB2.0、USB3.0、HDMI2.0、Type-c
By Application Multi-PIN type: 2, 3, 4, 5, 7, 9, 12, 16, 24 cores and customized 2+6, 2+2, 6+5 cores, etc.
Signal type: RJ45, optical fiber-single fiber/dual fiber
Data type: USB2.0, USB3.0, HDMI2.0, Type-c

材质类型: 塑胶款/半金属款/全金属款
By Materials Plastic/Semi-metal/Full metal

系列简介: Series Introduction

产品类型包含电源、多芯、混合、USB2.0、USB3.0、HDMI、RJ45、光纤、Type-c九大类, 塑胶外壳, 重量轻, 韧性好, 金属外壳, 抗冲击强度高, 采用按扣式锁定, 可单手操作, 操作简单, 安全可靠。

This series include nine categories: power, multi-core, hybrid, USB2.0, USB3.0, HDMI, RJ45, optical fiber and Type C. Plastic shell is light in weight and has good toughness. The metal shell has high resistance. The snap-on locking mechanism allows you to operate with one hand. It is simple to operate, safe and reliable.

主体材料、工艺及表面处理: Main materials, processes and surface treatment

外壳: Shell	材料: 全金属 Material: Plastic/Metal	生产工艺: 压铸与注塑 Process: Die casting and injection molding	表面处理: 镀铬 Surface: Chrome
---------------------	---	--	------------------------------------

模块材料、工艺及表面处理: Module materials, processes and surface treatment

接触件: Contacts	材料: 公/母针(铜合金) Material: Male/Female Pin (Copper Alloy)	生产工艺: 机加工&冲压 Process: Machining & Stamping	表面处理: 镍底镀金/银 Surface: Gold/silver plated over nickel
-------------------------	--	--	--

LC光纤接触件: LC fiber optic contacts	材料: 公/母端(高模量 玻璃纤维)纤维 Material: Male/Female (High Modulus Fiberglass) Fiber
--	--

绝缘体: Insulator	材料: 工程塑料 Material: Engineering Plastic	生产工艺: 注塑成型 Process: Injection molding
--------------------------	--	---

包装与储存: Packaging and storage

产品采用夹链自封袋, 大包装箱有小包装盒, 小包装盒上贴有标签, 标签上注明产品名称、型号、批号、及产品数量。包装好的产品建议应储存在环境湿度为 $25^\circ\text{C} \pm 3^\circ\text{C}$, 相对湿度 $< 72\%$, 周围空气中无酸性、碱性等腐蚀性气体的库房内, 其他储存环境可能会影响产品使用寿命。

The product is packed in ziplock bags. The large packaging box has small packaging boxes. The small packaging boxes are labeled with the product name, model, batch number, and product quantity. It is recommended that the packaged products should be stored in a warehouse with an ambient temperature of $25^\circ\text{C} \pm 3^\circ\text{C}$, a relative humidity of $< 72\%$, and no acidic, alkaline or other corrosive gases in the surrounding air. Other storage environments may affect the product life.

登陆官网PLG系列专区: Log in to the official website PLG series area

请扫描下面二维码登陆普乐固官网PLG专区, 如有疑问可以联系在线客服获取更详尽的产品信息。

Please scan the QR code below to log in to the PLG section of the PLUGOOD official website. If you have any questions, you can contact the online customer service to obtain more detailed product information.



普乐固官网PLG专区二维码

PLB20

PLB20



PLB20 PRODUCT SERIES
PLB20 产品系列



3芯四孔插座
3Pin Set

30A
可选 Optional



3芯单孔插座
3Pin Set

30A
可选 Optional



3芯对接插座装
3Pin Set

30A
可选 Optional

PLB20

PLB20



类 别 款 式



9芯 套装
9Pin Set

5A
可选 Optional



12芯 套装
12Pin Set

5A
可选 Optional



16芯 套装
16Pin Set

5A
可选 Optional



2+6芯 套装
2+6Pin Set

20A/5A
可选 Optional



2芯 套装
2Pin Set

30A
可选 Optional



5芯 套装
5Pin Set

10A
可选 Optional



3+3芯 套装
3+3Pin Set

30A/5A
可选 Optional



4+4芯 套装
4+4Pin Set

20A/5A
可选 Optional

PLB20

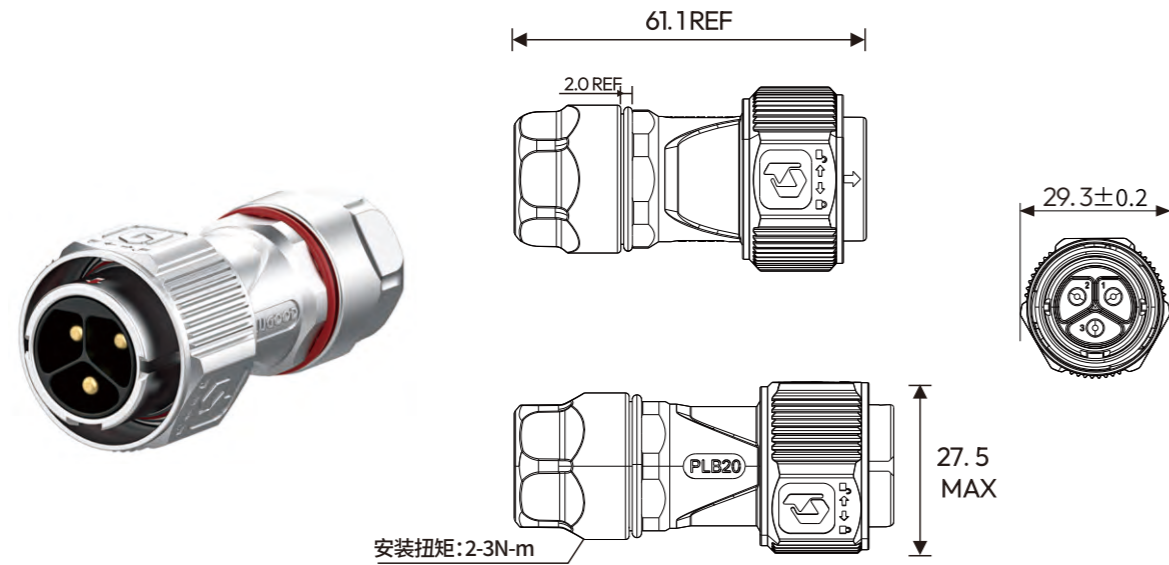
PLB20

PRODUCT SIZE

PLB20 产品外观尺寸图

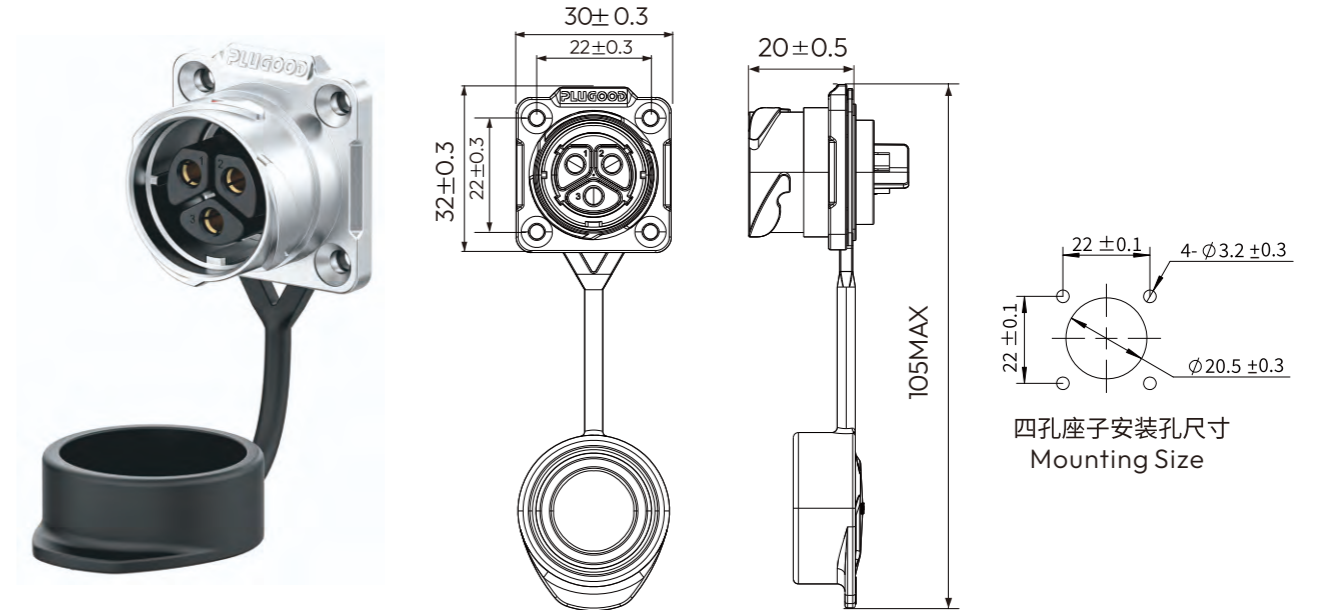
全金属插头

Full-metal



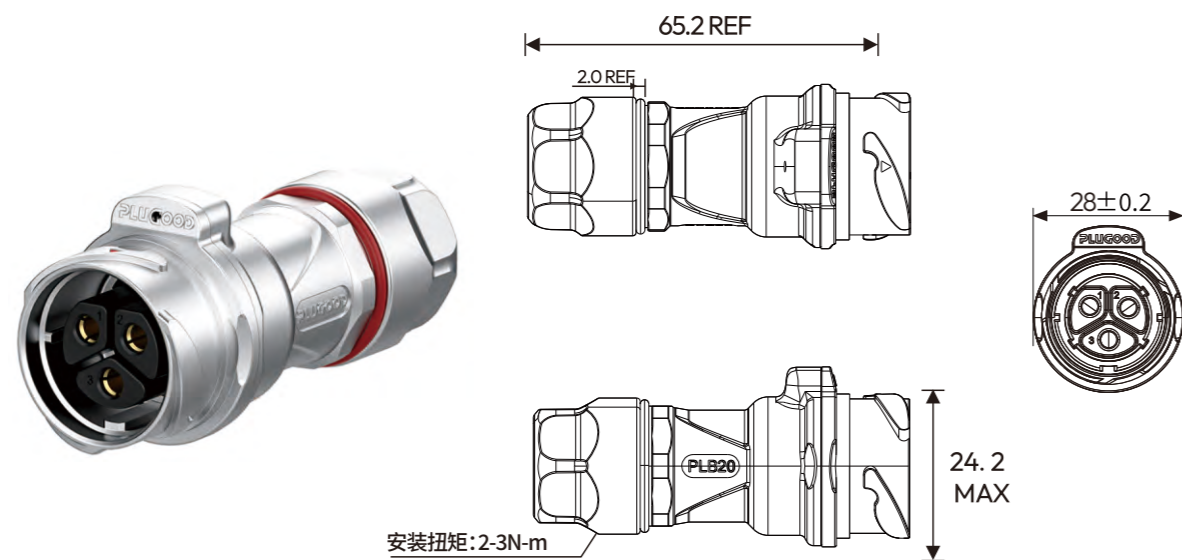
PLB 20 四孔法兰插座

PLB 20 Four-hole Frange Socket



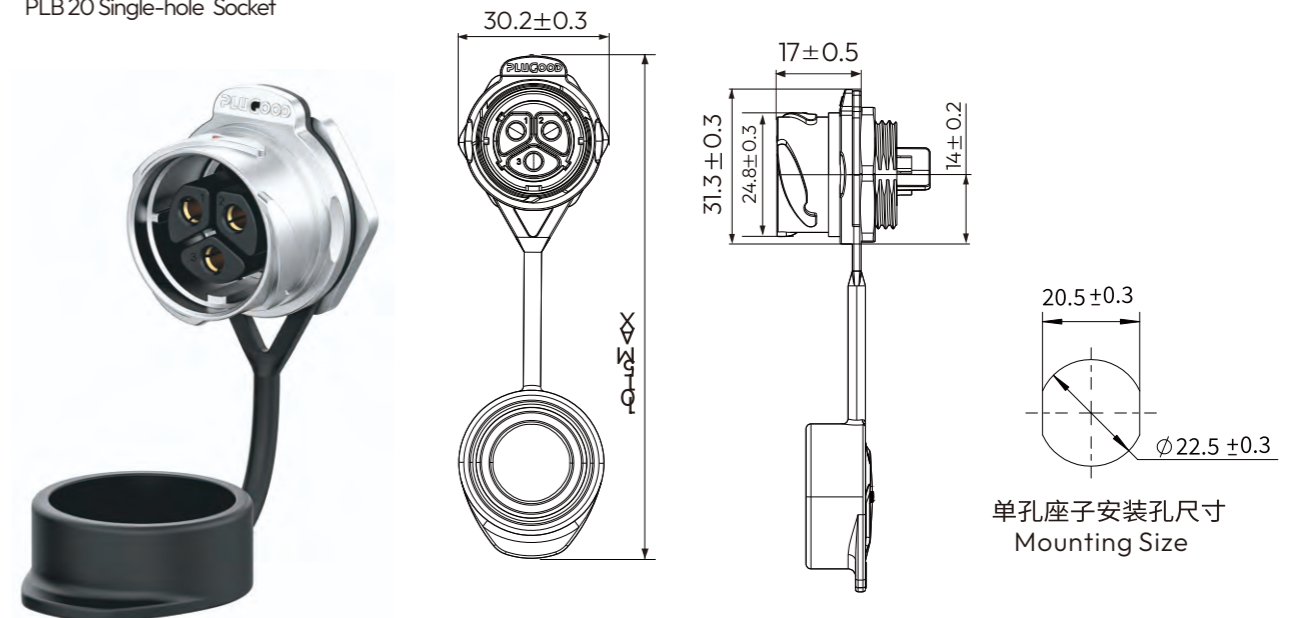
对接插座

Mating Socket



PLB 20 单孔插座

PLB 20 Single-hole Socket



PLB
20

PLB
20

端子直径 Contact		3.0mm		2.6mm		2.6mm		1.9mm	
镀金 Gold Plated		4U" MIN		4U" MIN		4U" MIN		2U" MIN	
芯数 Number of cores		2芯 2Pin	3芯 3Pin	2芯 2Pin	3芯 3Pin	4芯 4Pin	5芯 5Pin	7芯 7Pin	
模块 Product Map	焊接母模块 Soldering(Female)								
	焊接公模块 Soldering(Male)								
	锁线母模块 Screwing(Female)								
	锁线公模块 Screwing(Male)								
技术参数 Specifica- tions	额定电压 Voltage	500V AC (可按要求定制) Can be customized							
	耐高压 Withstanding Voltage	2500V AC(可按要求定制) Can be customized							
	额定电流 Rated Current	25A/30A (35A可定制) Can be customized		20A(25A可定制) Can be customized		20A(25A可定制) Can be customized		10A (16A可定制) Can be customized	
	绝缘阻抗 Insulation Resistance	500MΩ MIN							
	接触电阻 Contact Resistance	1MΩ MAX		1MΩ MAX		1MΩ MAX		2.5MΩ MAX	
	防水等级 Protection Level	IP67标品/IP68可选 (连接状态下/Connection Status)				IP67 (IP68 optional)			
	机械寿命 Mechanical Life	500次 MIN (3000及以上可定制)				500 times Min (3000+ times can be customized)			
	插拔力 Insertion and Extraction Force	100N MAX							
	振动冲击 Vibration Shock	频率:50-1000Hz, 振幅:5mm, 加速度30g, Frequency: 50-1000Hz, Amplitude: 5mm, Acceleration of 30g				振动时间:10分钟, 移位<1.5mm, 0.1us无瞬间断路 Vibration Time: 10 minutes, displacement <1.5mm, 0.1us, no instant interruption.			
	适用线规 Wire Gauge	12AWG/4mm²(25A) 10AWG(30A)		12AWG/2.5mm²			12AWG/2.5mm²		16-14AWG/1.5mm²
	适用线缆外径 Cable OD	Φ5.5-13.0mm(可定制/Customization Available) Can be customized							
	盐雾 Salt Spray	72H							
	工作温度 Operating Temperature	-25°C~105°C(可定制-40°C~105°C) Can be customized							
认证 Certifications	ROSH/CE/UL/TUV/CQC								

注：以上规格与产品图有所不同，请以承认的产品图为准

PLB SERIES

PLB20 SPECIFICATIONS











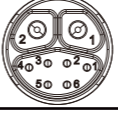

PLB20 技术参数

电源/信号类：
Power / Signal:

PLB20

PLB20



端子直径 Contact		1.0mm			3.0+1.0mm	2.6+1.0mm	不同规格端子直径/电流可定制	
镀金 Gold Plated		2U" MIN			3.0: 4U"MIN 1.0: 2U"MIN	2.6: 4U"MIN 1.0: 2U"MIN	可定制	
芯数 Number of cores		9芯 9Pin	12芯 12Pin	16芯 16Pin	3+3芯 3+3Pin	2+6芯 2+6Pin	4+4芯 4+4Pin	可定制
模块 Product Map	焊接母模块 Soldering(Female)							可定制
	焊接公模块 Soldering(Male)							可定制
	锁线母模块 Screwing(Female)	/	/	/	/	/	/	
	锁线公模块 Screwing(Male)	/	/	/	/	/	/	
技术参数 Specifications	额定电压 Voltage	250V AC			250V+100VAC	500V+250VAC	250V+100VAC	可定制
	耐高压 Withstanding Voltage	1500V AC			1500V+ 1000VAC	2500V+ 1500VAC	1500V+ 1000VAC	可定制
	额定电流 Rated Current	3A/5A			30A+5A	20A+5A		可定制
	绝缘阻抗 Insulation Resistance	500MΩ MIN						
	接触电阻 Contact Resistance	5MΩ MAX			1MΩ+5MAX		可定制	
	防水等级 Protection Level	IP67标品/IP68可选 (连接状态下/Connection Status) IP67 (IP68 optional)						
	机械寿命 Mechanical Life	500次 MIN (3000及以上可定制)			500 times Min (3000+ times can be customized)			
	插拔力 Insertion and Extraction Force	100N MAX						
	振动冲击 Vibration Shock	频率: 50-1000Hz, 振幅: 5mm, 加速度 30g, Frequency: 50-1000Hz Amplitude: 5mm, Acceleration of 30g			振动时间: 10分钟, 移位 < 1.5mm, 0.1us 无瞬间断路 Vibration Time: 10 minutes, displacement < 1.5mm, 0.1us, no instant interruption.			
	适用线规 Wire Gauge	22AWG/0.3mm²(3A) 20AWG/0.5mm²(5A)			10AWG+20AWG	12AWG+20AWG/ 2.5mm²+0.5mm²		可定制
	适用线缆外径 Cable OD	φ5.5-13.0mm (可定制/Customization Available) Can be customized						
	盐雾 Salt Spray	72H						
工作温度 Operating Temperature	-25°C~105°C (可定制 -40°C~105°C) Can be customized							
认证 Certifications	ROSH/CE/UL/TUV/CQC							

注：以上规格与产品图有所不同，请以承认的产品图为准

PLB SERIES

PLB20 SPECIFICATIONS










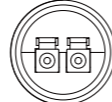
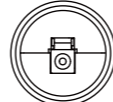

PLB20 技术参数

电源/信号类：
Power / Signal:

PLB20

PLB20



芯数(母模块) Number of Pins(Female)	 USB2.0	 USB3.0	 HDMI	 Dual Fiber		 Single Fiber	 Rj45
芯数(公模块) Number of Pins (Male)	 USB2.0	 USB3.0	 HDMI	 Dual Fiber		 Single Fiber	 Rj45
插入损耗 Insertion Loss	/			≤0.3db		≤0.3db	/
回波损耗 Return Loss	/			≥50db		≥50db	/
额定电压 Rated Voltage	5V AC	5VAC	5VAC	/		/	125V AC
额定电流 Rated Current	500mA	900mA	500mA	/		/	1.5A
传输速率 Transmission Rate	480Mbps	5.0Gbps	/				1Gbps 250MHz
耐电压 Withstanding Voltage	300V AC			/		/	1000V AC
绝缘阻抗 Insulation Resistance	10MΩ MIN			/		/	500MΩ MIN
插拔寿命 Mechanical Life	500次 MIN 500 times Min						
防水等级 Protection Level	IP67标品/IP68可选 (连接状态下/Connection Status)						
振动冲击 Vibration Shock	频率:50-1000Hz, 振幅:5mm, 加速度30g, 振动时间:10分钟, Frequency: 50-1000Hz Amplitude: 5mm, Acceleration of 30g Vibration Time: 10 minutes.					移位<1.5mm, 0.1us无瞬间断路 displacement <1.5mm, 0.1us, no instant interruption.	
适用线规 Wire Gauge	电源:24AWG, 信号:30AWG (可定制) Can be customized		30AWG (可定制) Can be customized			26AWG (可定制) Can be customized	
盐雾 Salt Spray	72H						
工作温度 Operating Temperature	-25°C~85°C (可定制-40°C~85°C) Can be customized						

注：以上规格与产品图有所不同，请以承认的产品图为准

PLB

SERIES

PLB20 SPECIFICATIONS

PLB20 技术参数

数据类：
DATA

USB/RJ45/光纤/HDMI
USB/RJ45/Fiber/HDMI



INDUSTRY CASE 行业应用解决方案

工业自动化设备

工业自动化正成为一种不可逆的趋势。它有效提升了生产效率、降低了企业人力成本和员工操作强度。PLG工业连接器解决方案，帮助工业自动化设备在复杂严苛的工业环境下实现更高效、无延迟、安全可靠的专业连接支持。

Industrial automation is becoming an irreversible trend. It effectively improves the production efficiency and reduces the labor cost and the operation intensity of employees. PLG Industrial Connector solutions help industrial automation equipment achieve more efficient, delay free, safe and reliable professional connection support in complex and demanding industrial environments.

提升效率
Improve efficiency

降低成本
Reduce costs

安全可靠
Safe and reliable

安防系统

新型视频监控系統、火警探测器、门禁及入侵检测系统等一系列安防系统，是构建现代化宜居宜业生活与工作环境的核心智能技术手段。PLG系列广泛用于各类安防系统，其大容量高清数据的高速传输性能和恶劣环境的高适应性，是实现智慧安防的重要技术保障。

A series of security systems, such as new video surveillance systems, fire detectors, access control systems and intrusion detection systems, are the core intelligent technology means to build a modern and livable living and working environment. The PLG series is widely used in various types of security systems, and its high-speed transmission performance of large-capacity high-definition data and high adaptability to harsh environments are important technical guarantees for realizing smart security.

高清数据
High-definition data

不惧恶劣环境
No fear of harsh environment

高适应性
High adaptability

通信行业

通信行业快速发展，不断迭代升级，以更加高效迅捷的通信网络构建万物互联的新时代。PLG系列助力终端设备升级，使设备具有更强的适应性，以更快的速度运行。

The communication industry is developing rapidly and constantly iterating and upgrading to build a new era of the Internet of everything with a more efficient and fast communication network. The PLG series helps upgrade terminal equipment, making equipment more adaptable and running at faster speeds.

高效迅捷
Efficient and fast

速度运行
Speed running

迭代升级
Iterative upgrade

新能源行业产业

随着新能源行业产业的升级，对于连接器的要求更为苛刻。安全、可靠、高效的配电，连接及传导成为新能源行业安全保障的核心与关键。PLG为新能源行业提供高端的连接解决方案。

With the upgrading of the new energy industry, the requirements for connectors are more demanding. Safe, reliable and efficient power distribution, connection and transmission have become the core and key to the security of the new energy industry. PLG provides high-end connectivity solutions for the new energy industry.

提升效率
Improve efficiency

降低成本
Reduce costs

安全可靠
Safe and reliable

照明产业

新型节能环保的照明技术不断迭代和大规模推广，正推动着整个照明产业从传统的室内和室外照明向生物科技等新兴领域拓展，植物生长灯就是其中案例之一。PLG可靠连接方案在低功耗传输，防水耐腐蚀等高匹配度上充分满足了照明产业更高的连接技术要求。

The continuous iteration and large-scale promotion of new energy-saving and environmental protection lighting technologies are promoting the entire lighting industry from traditional indoor and outdoor lighting to emerging fields such as biotechnology, and plant growth lamps are one of the cases. The PLG reliable connection solution fully meets the higher connection technical requirements of the lighting industry in terms of low power transmission, water resistance and corrosion resistance.

低功耗传输
Low power transmission

防水耐腐蚀
Waterproof and corrosion resistant

高匹配度
High matching degree



项目案例

Project case

- 建筑机器人
Construction robot
- 餐饮机器人电源
Food robot power supply
- 信号解决方案
Signal solution

PLG系列
PLG Series
RJ45



项目案例

Project case

- 道路监控电源
Road monitoring power supply
- 森林防火自组网
Forest fire prevention AD hoc network
- 水利监控设备
Water conservancy monitoring equipment

PLG系列
PLG Series
USB2.0/3.0



项目案例

Project case

- 数据中心与云计算
Data centers and cloud computing
- 5G通信基站专网电源
5G communication base station private network power supply
- 通信基站电箱设备
Communication base station electrical box equipment

PLG系列
PLG Series
光纤Fiber



项目案例

Project case

- 电源系统
Power supply system
- 太阳能光伏
Solar photovoltaic
- 风力发电
Wind power generation

PLG系列
PLG Series
多芯数
Multi-cores



项目案例

Project case

- 植物生长灯
Plant growth lamp
- 景观照明
Landscape lighting
- LED灯
LED light

PLG系列
PLG Series
3芯 3PIN



ABOUT TO PLUGOOD TECHNOLOGY

公司环境与设备



CORPORATE ENVIRONMENT

公司环境



普乐固 (PLUGOOD) 技术的核心价值观是“普乐共进，固行求精”，着力打造全球性的工业级连接产品服务网络，将业务全面辐射至全球，为客户提供高性能、创新可靠的工业级连接器、工业线束产品一站式解决方案。

The core value of PLUGOOD is "Advances Together and Strives for Excellence". We strive to build a global service network of industrial connectivity products, and provide customers with high-performance, innovative and reliable one-stop solutions of industrial connectors and wire harnesses.

生产车间
Production workshop

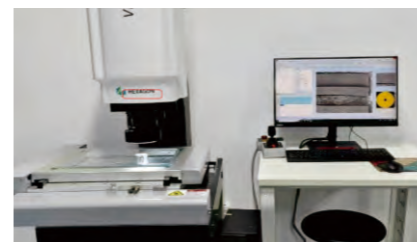


实验室
Laboratory



EXPERIMENTAL EQUIPMENT

实验设备



影像测试仪 | Image tester



综合测试仪 | Comprehensive tester



电阻测试仪 | Resistance tester



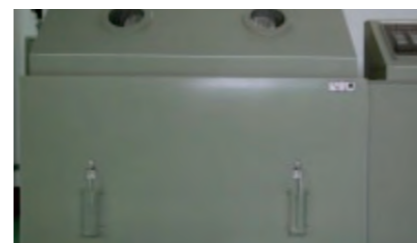
耐压测试仪 | Withstanding voltage tester



直流稳压稳流电源 | DC voltage and power tester



绝缘测试仪 | Insulation tester



盐雾试验箱 | Salt spray tester



高温试验箱 | High temperature tester



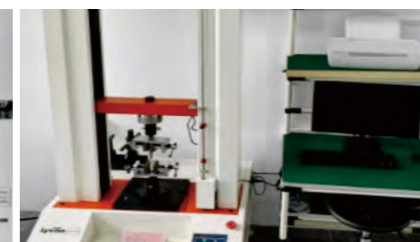
寿命试验机 | Life testing machine



可视检漏试验机 | Visual leak test machine

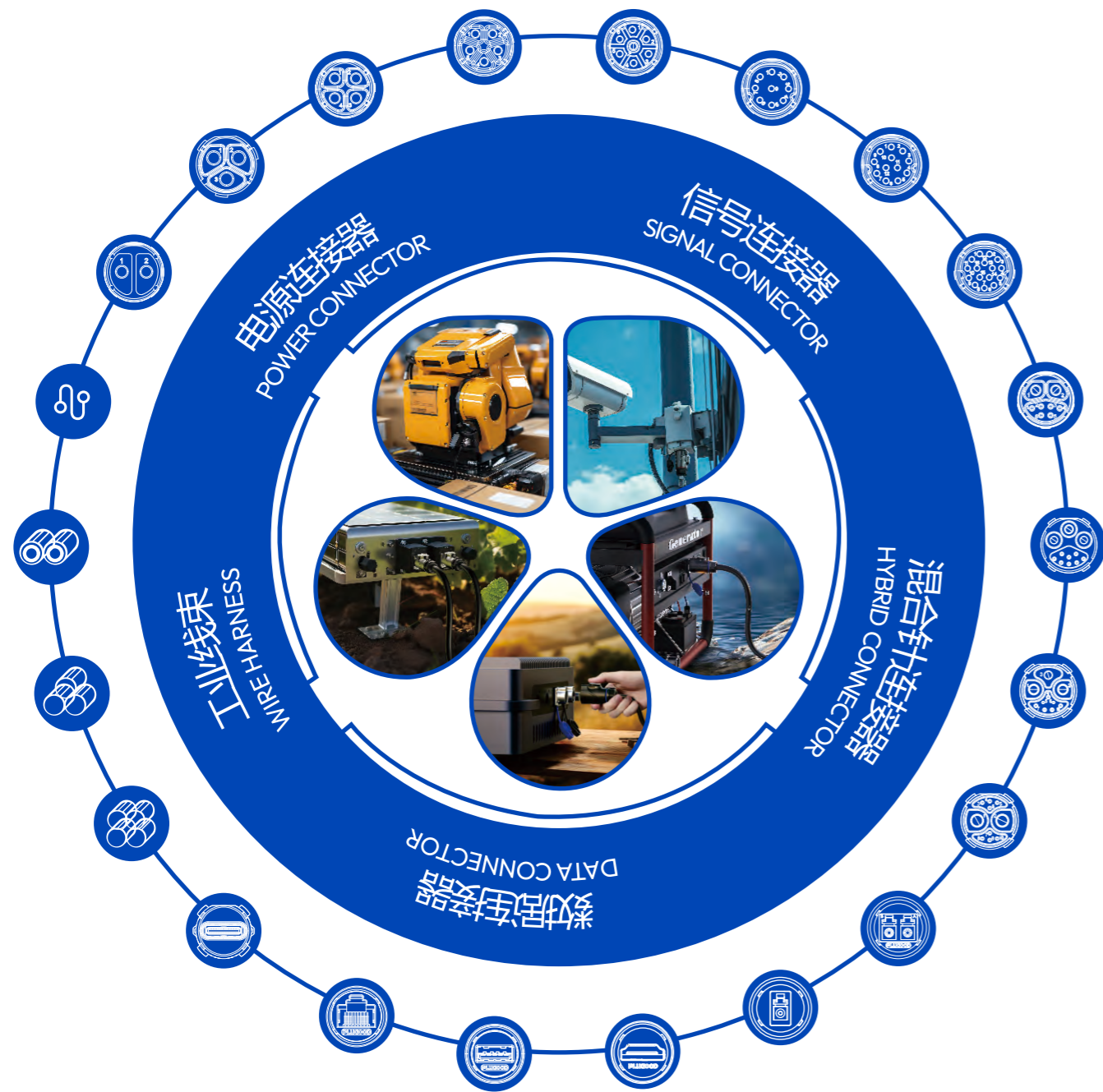


温升测试仪 | Temperature rise tester



材料试验机 | Material testing machine

CUSTOM



精工专属定制

CUSTOMIZED FOR YOU

电源连接器、信号连接器、数据连接器、线束等各类热销型号产品，
实力强劲的工程研发团队，可根据您对项目的特定诉求提供定制化的产品服务

Focus on power connectors, signal connectors, data connectors and wire harness etc. A strong and experienced R&D team that you can count on to tailor the product for you.